

EK tipa apstiprinājuma sertifikāts
 EC TYPE-APPROVAL CERTIFICATE

Paziņojums attiecas uz:

Communication concerning:

- tipa apstiprinājumu ⁽¹⁾
type-approval ⁽¹⁾
- ~~tipa apstiprinājuma attiecināšanu uz citu tipu ⁽¹⁾~~
~~extension of type approval ⁽¹⁾~~
- ~~tipa apstiprinājuma atteikumu ⁽¹⁾~~
~~refusal of type approval ⁽¹⁾~~
- ~~tipa apstiprinājuma anulēšanu ⁽¹⁾~~
~~withdrawal of type approval ⁽¹⁾~~



transportlīdzekļa tipam saistībā ar Direktīvu 2002/24/EK, kurā jaunākie grozījumi izdarīti ar Direktīvu 2013/60/ES of a type of vehicle with regard to Directive 2002/24/EC, as last amended by Directive 2013/60/EU

Tipa apstiprinājuma numurs: **e32*2002/24*0002*00**

Type-approval number:

Attiecinājuma pamatojums: **Nav attiecināms**

Reason for extension:

Not applicable

0. **VISPĀRĪGI NOTEIKUMI**

GENERAL

- 0.1. Marka(-as) (ražotāja tirdzniecības nosaukums): **VIGOROUS; TOL; SNOW; KRAL; EAGEL; AMGDR; ECO ENGEL; LOFTY**
 Make(s) (trade name of the manufacturer):
- 0.2. Tips: **TOL1000D-01**
 Type:
- 0.2.1. Komerccnosaukums(-i): **TOL1000D-01; TOL650D-01; KR-11; VESTA2250; VIGOROUS800**
 Commercial name(s):
- 0.3. Tipa identifikācijas līdzekļi, ja marķējums ir uz transportlīdzekļa: **VIN 4.-8. simboli**
 Means of identification of type, if marked on the vehicle: **Position 4 to 8 in the VIN code**
- 0.3.1. Šāda marķējuma atrašanās vieta: **Iekalts uz rāmja labajā pusē un uz izgatavotāja plāksnītes**
 Location of that marking: **Stamp on the right side of the frame and on the statutory plate**
- 0.4. Kategorija ⁽²⁾: **L2e**
 Category ⁽²⁾:
- 0.5. Ražotāja nosaukums un adrese: **Zhejiang Huangyan Sanye Group Co.,Ltd. No.38, Xintang Road, Huangyan District, Taizhou City, 318020. Zhejiang Province, P.R. China**
 Name and address of the vehicle manufacturer:
- 0.5.1. Montāžas rūpnīcas(-u) nosaukums(-i) un adrese(-es): **Taizhou TONGLI Motorcycle Co.,Ltd. No.28, Batang Road, Sanjia Jiaojiang District, Taizhou City, 318000, Zhejiang Province, P.R. China**
 Name(s) and address(es) of assembly plant(s):

Apakšā parakstījusies persona apliecina, ka ražotāja iepriekš aprakstītā transportlīdzekļa tipa apraksts pievienotajā informācijas dokumentā ir pareizs un ka kompetentās apstiprinātājas iestādes atlasījušas tā vienu vai vairākus reprezentatīvus paraugus, kuri iesniegti kā šāda tipa transportlīdzekļa prototipi, un ka pievienotie testa rezultāti ir piemērojami minētā tipa transportlīdzeklim.

The undersigned hereby certifies the accuracy of the manufacturer's description in the attached information document of the vehicle type described above, for which one or several representative samples, selected by the competent approval authorities, has (have) been submitted as prototype(s) of the vehicle type and that the attached test results are applicable to the vehicle type.

Šāda tipa transportlīdzeklis ~~atbilst~~/~~neatbilst~~⁽¹⁾ visu to attiecīgo atsevišķo direktīvu (ar jaunākajiem grozījumiem) tehniskajām prasībām, kas iekļautas tabulā Direktīvas 2002/24/EK I pielikumā.

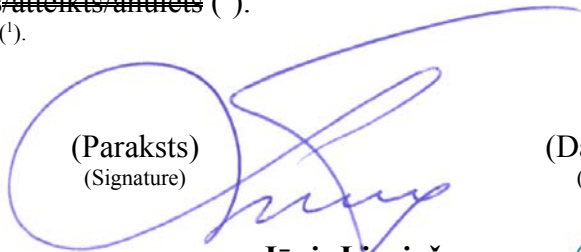
The vehicle type ~~meets~~/~~does not meet~~⁽¹⁾ the technical requirements of all relevant separate Directives (as last amended) listed in the table of Annex I to Directive 2002/24/EC.

Tipa apstiprinājums ir ~~piešķirts~~/~~atteikts~~/~~anulēts~~⁽¹⁾.

The approval is ~~granted~~/~~refused~~/~~withdrawn~~⁽¹⁾.

(Vieta) **LATVIJA, Rīga,**
 (Place) **Miera iela 25**

(Paraksts)
 (Signature)



Jānis Liepiņš

(Datums) **14.07.2015.**
 (Date)



Pielikumi: Informācijas dokuments, 1. un 2.daļa (II pielikums). **TOL1000D-01-00, 25.04.2015.**
 Attachments: Information document, Parts 1 and 2 (Annex II).

Testa rezultāti (VII pielikums).

Test results (Annex VII).

To personu vārds(-i), uzvārds(-i) un paraksta paraugs(-i), kurām ir atļauts parakstīt atbilstības sertifikātus, un norāde uz viņu ieņemamo amatu sabiedrībā.

Name(s) and specimen(s) of the signature of the persons authorised to sign the certificates of conformity and a statement of their position in the company.

⁽¹⁾ Svītrot, ja nav piemērojams.

Delete where not applicable.

⁽²⁾ Saskaņā ar klasifikāciju, ko ievieš ar 1.pantu.

According to the classification introduced in Article 1.

VII PIELIKUMS
ANNEX VII

TESTA REZULTĀTI
TEST RESULTS

(5.panta 1.punkta pirmā daļa)
(Article 5(1), first subparagraph)

Visos gadījumos informācijai jābūt tādai, ka pēc tās saprotams, uz kuru variantu un versiju tā attiecas. Vienai versijai nedrīkst būt vairāk par vienu rezultātu.

In each case, the information must make clear to which variant and version it is applicable. One version may not have more than one result.

1. Trokšņu līmeņa testu rezultāti.
Results of the sound level tests.

Apstiprinājumam piemērojamās pamatdirektīvas un tās direktīvas numurs, ar ko tajā izdarīti jaunākie grozījumi. Ja direktīvas īstenošanai ir divi vai vairāki posmi, norāda arī īstenošanas posmu:

Number of the base Directive and latest amending Directive applicable to the approval. In the case of a Directive with two or more implementation stages, indicate also the implementation stage:

97/24/EK 9.nodaļa, kurā jaunākie grozījumi izdarīti ar Direktīvu 2009/108/EK
97/24/EC chapter 9, as last amended by Directive 2009/108/EC

Variants/versija Variant/version	n.a.
dB(A) pārvietojoties Moving dB(A)	n.a.
dB(A) stacionāri Stationary dB(A)	n.a.
atbilstīgi (m ⁻¹) at (m ⁻¹)	n.a.

2. Izplūdes testu rezultāti.
Results of the exhaust emission tests.

Apstiprinājumam piemērojamās pamatdirektīvas un tās direktīvas numurs, ar ko tajā izdarīti jaunākie grozījumi. Ja direktīvas īstenošanai ir divi vai vairāki posmi, tad norādīt arī īstenošanas posmu:

Number of the base Directive and latest amending Directive applicable to the approval. In the case of a Directive with two or more implementation stages, indicate also the implementation stage:

97/24/EC, kurā jaunākie grozījumi izdarīti ar Direktīvu 2013/60/ES
97/24/EC, as last amended by Directive 2013/60/EU

Variants/versija Variant/version	n.a.
-------------------------------------	-------------

2.1. I tipa tests
Type I

CO (g/km)	n.a.
HC (g/km) ⁽¹⁾	n.a.
NO _x (g/km) ⁽¹⁾	n.a.
HC + NO _x (g/km) ⁽²⁾	n.a.



2.2. II tipa tests
 Type II

CO (g/min) ⁽²⁾	n.a.
HC (g/min) ⁽²⁾	n.a.
CO (% tilpuma) pie normāliem motora apgriezieniem ⁽¹⁾ CO (% vol) at normal idle speed ⁽¹⁾	n.a.
Uzrādītie motora apgriezieni ⁽¹⁾⁽³⁾ (min ⁻¹) Specify the idle speed ⁽¹⁾⁽³⁾ (min ⁻¹)	n.a.
CO (% tilpuma) pie paaugstinātiem motora apgr. ⁽¹⁾ CO (% vol) at high idle speed ⁽¹⁾	n.a.
Uzrādītie motora apgriezieni ⁽¹⁾⁽³⁾ (min ⁻¹) Specify the idle speed ⁽¹⁾⁽³⁾ (min ⁻¹)	n.a.
Motora eļļas temperatūra ⁽¹⁾⁽⁴⁾ Engine oil temperature ⁽¹⁾⁽⁴⁾	n.a.

3. Kompresijaizdedzes motors.
 Compression ignition engine

Variants/versija Variant/version	n.a.
Absorbcijas koeficienta koriģētā vērtība (m ⁻¹) Corrected value of absorption coefficient (m ⁻¹)	n.a.



⁽¹⁾ Tikai motocikliem, trīsriteņu motocikliem un kvadricikliem, kas noteikti 1.panta 3.punkta b) apakšpunktā.

Only for motorcycles and motor tricycles and for quadricycles as defined in Article 1, paragraph 3(b).

⁽²⁾ Tikai mopēdiem un vieglajiem kvadricikliem, kas noteikti 1.panta 3.punkta a) apakšpunktā.

Only for mopeds and for light quadricycles as defined in Article 1, paragraph 3(a).

⁽³⁾ Norādīt mērījumu pielaidi.

Mention the measurement tolerance.

⁽⁴⁾ Tikai četraktu motoriem.

Applicable for four-stroke engines only.

Informācijas paketes satura rādītājs

Index to the information package

Nr. No.	Dokuments Document	Saturs Index	Datums Date
1.	ES tipa apstiprinājuma informācijas dokuments (ietverot pielikumus) Information document for the purpose of the EU type approval (including annexes)	TOL1000D-01-00	25.04.2015.
2.	Testa protokols Test report	87-2002/24-1141/15	10.07.2015.
3.	Atbilstības sertifikātus parakstīt pilnvaroto personu vārdi, uzvārdi, parakstu paraugi un ieņemamie amati uzņēmumā Names and the signature specimens of the persons authorized to sign certificates of conformity and their position with the company	-	25.04.2015.

Iesnieguma pamatojums:

Reasons for application:

- bāzes apstiprinājums
- basic approval
- ~~- apstiprinājuma pagarinājums
- extension of approval~~
- ~~- apstiprinājuma revīzija
- revision of approval~~



e32*2002/24*0002*00, 14.07.2015.

Reģistrācijas Nr. 40003345734, Valsts akciju sabiedrība, Miera iela 25, Rīga LV-1001, Latvija,
 tālr.: +371 67025750, fakss: +371 67828301 e-pasts: office@csdd.gov.lv, <http://www.csdd.lv>

No:38, Xintang Road, Huangyan District, Taizhou City, 318020.
Zhejiang Province, P.R.China.

Issue Date: April 25, 2015

Document information about **three-wheel moped**

Reference number of information document: **TOL1000D-01-00**

Application date: **April 25, 2015**

LIST OF CONTENT

- I. **2002/24 INFORMATION DOCUMENT – GENERAL INFORMATION**
II. **CONTENT OF DRAWINGS**

Drawing No.	Drawing subject
TOL1000D-01-01	Whole vehicle-dimension
TOL1000D-01-02	Speedometer(1)
TOL1000D-01-03	Speedometer(2)
TOL1000D-01-04	Front Cushion
TOL1000D-01-05	Suspension Arrgenment
TOL1000D-01-06	Rear Cushion
TOL1000D-01-07	Front Brake Assy
TOL1000D-01-08	Brake Disc
TOL1000D-01-09	Rear Brake Assy
TOL1000D-01-10	Brake Shoe
TOL1000D-01-11	Parking Brake Assy
TOL1000D-01-12	Lighting Installation
TOL1000D-01-13	I.D.Control and Tell-tale
TOL1000D-01-14	Location of the Statutory Chassis Number&VIN
TOL1000D-01-15	Anti-theft device
TOL1000D-01-16	Horn Installation
TOL1000D-01-17	Mirror Position
TOL1000D-01-18	Frame Body
TOL1000D-01-19	MOTOR
TOL1000D-01-20	Location of Batteries
TOL1000D-01-22	Transmission diagram
TOL1000D-01-23	Rear License Plate Installation

- III **STATEMENT CONCERNING ANTI TAMPERING REQUIREMENTS AND ANTI THEFT DEVICE (IF APPLICABLE)**



e32*2002/24*0002*00, 14.07.2015.

**2002/24/EC ANNEX II
INFORMATION DOCUMENT ^(a)**

PART 1

**A. INFORMATION RELATING JOINTLY TO MOPEDS, MOTOR CYCLES, MOTOR TRICYCLES AND
QUADRICYCLES**

0. General

- 0.1. Make : VIGOROUS, TOL, SNOW, KRAL, EAGEL, AMGDR, ECO ENGEL, LOFTY
- 0.2. Type (state any possible variants and versions: each variant and each version must be identified by a code consisting of numbers or a combination of letters and numbers) : TOL1000D-01
Variant 1: TOL1000D-01
Variant 2: TOL650D-01
Version A, B
- 0.2.1. Commercial name (where applicable) : TOL1000D-01, TOL650D-01, KR-11, VESTA2250, VIGOROUS800
- 0.3. Means of type identification if stated on vehicle ^(b) : Position 4 to 8 in the VIN code.
- 0.3.1. Location of that means of identification : Stamp on the right side of chassis and statutory plate
- 0.4. Vehicle category ^(c) : Three-wheel Moped (L2e)
- 0.5. Name and address of manufacturer : Zhejiang Huangyan Sanye Group Co.,Ltd.
No.38, Xintang Road, Huangyan District, Taizhou City, 318020. Zhejiang Province, P.R. China.
- 0.5.1. Name(s) and address(es) of assembly plants : Taizhou TONGLI Motorcycle Co.,Ltd.
No.28, Batang Road, Sanjia Jiaojiang District, Taizhou City, 318000, Zhejiang Province, P.R.China.
- 0.6. Name and address of manufacturer's authorised representative, if any : n.a.
- 0.7. Location and method of affixing statutory inscriptions to the chassis : Right part of main frame and riveting
- 0.7.1. The serial numbering of the type begins with No : Variant 1:L3ZEGV2A?FT000001
Variant 2:L3ZEEH2A?FT000001
The ninth character "?" means check number calculated automatically by VIN-print system, possible character including:"0,1,2,3,4,5,6,7,8,9,X"
- 0.8. Position and method of affixing the component type-approval mark for components and separate technical units : Mark on the surface of the component and made by molding

General arrangement of the vehicle

1. Photos and/or drawings of a typical vehicle : Refer to drawing No.TOL1000D-01-01
- 1.2. Dimensional drawing of the complete vehicle : Refer to drawing No.TOL1000D-01-01
- 1.2.1. Wheelbase : 1075mm
- 1.3. Number of axles and wheels (where : 2 axles / 3 wheels



No:38, Xintang Road, Huangyan District, Taizhou City, 318020.
Zhejiang Province, P.R.China.

Issue Date: April 25, 2015

	appropriate, number of crawler tracks or belts)	
1.4.	Position and arrangement of engine	: in the middle of the main frame, cylinder horizontal longitude oriented
1.5.	Number of seating positions	: 1
1.6.	Hand of drive - left or right ⁽¹⁾	
1.6.1.	Vehicle is equipped to be driven in right-hand or left-hand rule of the road traffic ⁽¹⁾	: Right-hand and left-hand rule
2.	Masses (in kg) ⁽²⁾	
2.0.	Unladen mass ^{(d) (i)}	: Version A: 100kg Version B: 94 kg
2.1.	Mass of vehicle in running order ⁽ⁱ⁾	: Version A: 100kg Version B: 94 kg
2.1.1.	Distribution of that mass between the axles	: Version A: Front: 26kg / Rear:74kg Version B: Front: 22kg / Rear:72kg
2.2.	Mass of vehicle in running order , together with rider	: Version A: 175kg Version B: 169kg
2.2.1.	Distribution of that mass between the axles	: Version A: Front: 60kg / Rear:115kg Version B: Front: 59kg / Rear:110kg
2.3.	Maximum technically permissible mass declared by the manufacturer	: 190 kg
2.3.1.	Division of that mass between the axles	: Front:65kg Rear:125kg
2.3.2.	Maximum technically permissible mass on each of the axles	: Front: 100kg Rear: 200kg
2.4.	Maximum hill-starting ability at the maximum technically permissible mass declared by the manufacturer	: 10°
2.5.	Maximum towable mass (where applicable)	: n.a.
2.6.	Maximum mass of the combination	: n.a.
3.	Engine ^(e)	
3.0.	Manufacturer	: Taizhou Eureka Mechanical and electrical Co.,Ltd.
3.1.	Make	: Eureka
3.1.1.	Type (stated on the engine, or other means of identification)	: Variant 1: YWDJ010-1000 Variant 2: YWDJ010-650
3.1.2.	Location of engine number (if applicable)	: Refer to drawing No.TOL1000D-01-19
3.2.	Spark- or compression-ignition engine ⁽¹⁾	n.a.
3.3.	Electric traction motor	
3.3.1.	Type (winding, excitation)	: Winding
3.4.	Maximum continuous rated power ^(k)	: Variant 1: 1000W Variant 2: 650W



- 3.3.1.2. Operating voltage : Version A: 60V
Version B: 48V
- 3.3.2. Battery
- 3.3.2.1. Number of cells : Version A: 5
Version B: 4
- 3.3.2.2. Mass : Version A: 30kg
Version B: 24kg
- 3.3.2.3. Capacity : Version A: 30Ah
Version B: 20Ah
- 3.3.2.4. Location : Refer to drawing No.TOL1000D-01-20
- 3.4. Other motors or combinations of motors (specific information concerning the parts of those motors) : n.a.
- 3.5. Cooling system temperatures permitted by the manufacturer : n.a.
- 3.6. Lubrication system : n.a.

4. Transmission ^(h)

- 4.1. Diagram of transmission system : Refer to drawing No.TOL1000D-01-22
- 4.2. Type (mechanical, hydraulic, electrical, etc.) : mechanical
- 4.3. Clutch (type) : n.a.
- 4.4. Gearbox
- 4.4.1. Type : automatic
- 4.4.2. Method of selection : n.a.
- 4.5. Gear ratios

	R1	R2	R3	Rt
	3.313	3.130	---	10.37

N gear ratio

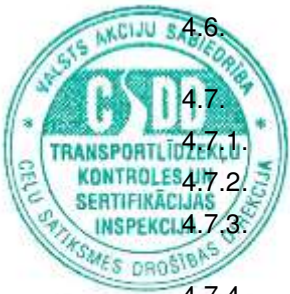
R1= primary ratio (ratio of engine speed to rotational speed of primary gear box shaft)

R2= secondary ratio (ratio of rotational speed of primary shaft to rotational speed of secondary shaft in gearbox).

R3= final drive ratio (ratio of rotational speed of gearbox output shaft to rotational speed of driven wheels).

Rt = overall ratio.

- 4.6. Maximum speed of vehicle and gear in which it is reached (in km/h) ⁽ⁱ⁾ : 25 km/h
- 4.7. Speedometer
- 4.7.1. Make(s) : YINCHAO
- 4.7.2. Type(s) : YC-M01
- 4.7.3. Photographs and/or drawings of the complete system : Refer to drawing No. TOL1000D-01-02
- 4.7.4. Speed range displayed : 0~60km, 0-40mph



- 4.7.5. Tolerance of the measuring mechanism of the speedometer :

Km/h	10	20	40
tolerance	0~+3	0~+4	0~+6
- 4.7.6. Technical constant of the speedometer : 11.66rpm/degree
- 4.7.7. Method of operation and description of the drive mechanism : Rolling of front wheel makes worm wheel turn then drive to worm, soft-axes to meter worm
- 4.7.8. Overall transmission ratio of the drive mechanism : $(1/10) \times (1/10) \times (1/14) = 1/1400$

5. Suspension

- 5.1. Drawing of suspension arrangement : Refer to drawing No.TOL1000D-01-04
Refer to drawing No.TOL1000D-01-05
Refer to drawing No.TOL1000D-01-06
- 5.1.1. Brief description of the electrical and/or electronic components used in the suspension : n.a.
- 5.2. Tyres (category, dimensions and maximum loading) and rims (standard type) : List as below

Make	Tire	Circumference [mm]	Component Approval NO.	Tire pressure [kpa]	Rims
YUANXING	3.00-10 42J	1235	E4-75R-0006926	225	2.15×10
FEICHI	3.00-10 42J	1235	E4-75R-0002606	225	2.15×10
KINGSTONE	3.00-10 42J	1235	E4-75R-0006927	225	2.15×10
KENDA	3.00-10 45J	1235	E11-75R-000208	225	2.15×10
CHENGSHIN	3.00-10 42J	1235	E4-75R-000103	225	2.15×10
CHAOYANG	3.00-10 42J	1235	E4-75R-0005902	225	2.15×10

- 5.2.1. Nominal rolling circumference : See item 5.2
- 5.2.2. Tyre pressures recommended by the manufacturer : See item 5.2
- 5.2.3. Tyre/wheel combinations : n.a.
- 5.2.4. Minimum-speed category symbol compatible with the theoretical maximum design speed of the vehicle : B
- 5.2.5. Minimum load-capacity index with the maximum load on each tyre : Front: 28
Rear: 28
- 5.2.6. Categories of use compatible for the vehicle : normal

6. Steering

- 6.1. Steering gear and control
- 6.1.1. Type of gear : direct steering
- 6.1.2. Brief description of the electrical and/or electronic components used in the steering system : n.a.

7. Braking

- 7.1. Diagram of braking devices : Refer to drawing No. TOL1000D-01-07



No:38, Xintang Road, Huangyan District, Taizhou City, 318020.
Zhejiang Province, P.R.China.

Issue Date: April 25, 2015

- 7.2. Front disc / drum brake ⁽¹⁾ : Refer to drawing No. TOL1000D-01-09
Rear disc / drum brakes ⁽¹⁾ : Front: disc
Rear: drum
- 7.2.1. Make(s) : Yuhuan Aluminum Alloy Casting Factory
- 7.2.2. Type(s) : Front: ϕ 155
Rear: ϕ 110
- 7.3. Drawing of parts of the brake system
- 7.3.1. Shoes and/or pads ⁽¹⁾ : Refer to drawing No. TOL1000D-01-07
Refer to drawing No. TOL1000D-01-10
- 7.3.2. Linings and/or pads (Indicate make, grade of material or identification mark) ⁽¹⁾ : Refer to drawing No. TOL1000D-01-07
Refer to drawing No. TOL1000D-01-10
- 7.3.3. Brake levers and/or pedals ⁽¹⁾ : Front: Brake level
Refer to drawing No. TOL1000D-01-07
Rear: Brake level
Refer to drawing No. TOL1000D-01-09
- 7.3.4. Hydraulic reservoirs (where applicable) : Refer to drawing No. TOL1000D-01-07
- 7.4. Other devices (where applicable) : Parking Brake System:
Refer to drawing No. TOL1000D-01-11
- drawing and description : n.a.
- 7.5. Brief description of the electrical and/or electronic components used in the braking system : n.a.
- 8. Lighting and light-signaling devices**
- 8.1. List of all devices (mentioning the number, make(s), model, component type-approval mark(s), the maximum intensity of the main-beam headlamps, colour, the corresponding tell-tale) : List as Below

Lamp function	QTY.	Color	Tell-tale	Max intensity	Make Type	Approval No.
High beam /Low beam	1	white	Blue	22500cd	TONGLI TOL100-00	E24-113R-000029
Front position lamp	1	White	no	---	TONGLI TOL100-00	E24-50R-000029
Front direction indicator	2	amber	green	---	Mingyuan MY-D-103	E11-50R-001144
	2	amber	green	---	LINGMA YM-D-ZM101	E13-50R-0013864
Rear direction indicator	2	amber	green	---	TONGLI TOL300-00	E24-50R-000031
Stop lamp	2	red	no	---	TONGLI TOL300-00	E24-50R-000031
Rear position lamp						
Rear reflector	2	red	no	---	K-LITE KM-101	IA E9-02-1270
Rear Registration plate lamp	1	White	no	---	CNSY 35250-KY110-0000	E11 50R-007569

- 8.2. Diagram showing the location of the lighting and light-signalling devices : Refer to drawing No. TOL1000D-01-12
- 8.3. Hazard warning lamps (where fitted) : n.a.
- 8.4. Additional requirements relating to special vehicles : n.a.
- 8.5. Brief description of the electrical and/or electronic components used in the : n.a.



lighting system and in the light-signalling system

9. Equipment

- 9.1. Coupling devices (where applicable)
- 9.1.1. Type (hook/ring/other) ⁽¹⁾ : n.a.
- 9.1.2. Photograph and/or drawings showing the position and the construction of the coupling devices : n.a.
- 9.2. Arrangement and identification of controls, tell-tales and indicators
- 9.2.1. Photographs and/or drawings of the arrangement of the symbols, controls, tell-tales and indicators : Refer to drawing No. TOL1000D-01-13
- 9.3. Statutory inscriptions
- 9.3.1. Photographs and/or drawings showing the location of the statutory inscriptions and the chassis number : Refer to drawing No. TOL1000D-01-14
- 9.3.2. Photographs and/or drawings showing the official part of the inscription (with statement of dimensions) : Refer to drawing No. TOL1000D-01-14
- 9.3.3. Photographs and/or drawings of the chassis number (with statement of dimensions) : Refer to drawing No. TOL1000D-01-14
- 9.4. Device(s) to protect against unauthorized use
- 9.4.1. Type of device(s) : TYPE 2
- 9.4.2. Summary description of device(s) used : Steering lock,
Refer to drawing No. TOL1000D-01-15
- 9.5. Audible warning device(s)
- 9.5.1. Summary description of device(s) used and their purpose : Electro magnetic actuated diaphragm
- 9.5.2. Make(s) : 1.HAO YIN 2.TE YING
- 9.5.3. Type(s) : 1.DL127 2. DL128
- 9.5.4. Type-approval mark : 1.E4-28R-000113 2. E4-28R-000125
- 9.5.5. Drawing(s) showing the location of the audible warning device(s) in relation to the structure of the vehicle : Refer to drawing No. TOL1000D-01-16
- 9.5.6. Details of the method of attachment, including the part of the vehicle structure to which the audible warning device(s) is (are) attached : Refer to drawing No. TOL1000D-01-16
- 9.6. Location of rear registration plate (indicate variants where necessary; drawings may be used as appropriate) : Refer to drawing No. TOL1000D-01-23
- 9.6.1. Inclination of plane in relation to the vertical : 30°



C. INFORMATION RELATING SOLELY TO THREE-WHEEL MOPEDS, MOTOR TRICYCLES AND QUADRICYCLES**1. Dimensions and masses (in mm and kg)
(where necessary, refer to drawings)**

- 1.1. Dimensions to be complied with when building unbodyed chassis
- 1.1.1. Length : 1650mm
- 1.1.2. Width : 690mm
- 1.1.3. Unladen height : 1060mm
- 1.1.4. Front overhang : 220mm
- 1.1.5. Rear overhang : 355mm
- 1.1.6. Limit position for centre of gravity of bodied vehicle : n.a.
- 1.2. Masses (d)
- 1.2.1. Maximum payload declared by manufacturer : Version A: 15kg
Version B: 21kg

2. Equipment

- 2.1. Bodywork : n.a.
- 2.2. Windscreen and other glazing : n.a.
- 2.3. Windscreen wiper(s) : n.a.
- 2.4. Windscreen washer(s) : n.a.
- 2.5. Defrosting and demisting : n.a.
- 2.6. Rear-view mirror(s) (please give the following information for each rear-view mirror)
- 2.6.1. Make: : 1. BENZHOU
2.XIONG XIN
3.Huayu
- 2.6.2. Type-approval mark: : 1. E4-81R-000145
2. E11-81R-001190
3. E4-81R-000197
- 2.6.3. Variant: : n.a.
- 2.6.4. Drawing(s) showing the location of the rear-view mirror(s) in relation to the structure of the vehicle: : Refer to drawing No. TOL1000D-01-17
- 2.6.5. Detailed information on the method of attachment, including that part of the structure of the vehicle to which the rear-view mirror is attached: : Refer to drawing No. TOL1000D-01-17
- 2.7. Seats
- 2.7.1. Number : 1
- 2.7.2. Location : r1:1C
- 2.7.3. Coordinates or drawing of the R point (j)
- 2.7.3.1. Driving seat : X: 960, Y:0, Z: 780
- 2.7.3.2. Other seats : n.a.



No:38, Xintang Road, Huangyan District, Taizhou City, 318020.
Zhejiang Province, P.R.China.

Issue Date: April 25, 2015

2.7.4.	Intended seat-back inclination	
2.7.4.1.	Driving seat	: n.a
2.7.4.2.	Other seats	: n.a.
2.7.5.	Seat adjustment range, where appropriate	: n.a.
2.8.	Passenger-compartment heating system (where applicable)	: n.a.
2.9.	Safety belts	: n.a.
2.10.	Anchorage	: n.a.



e32*2002/24*0002*00, 14.07.2015.

No:38, Xintang Road, Huangyan District, Taizhou City, 318020.
Zhejiang Province, P.R.China.

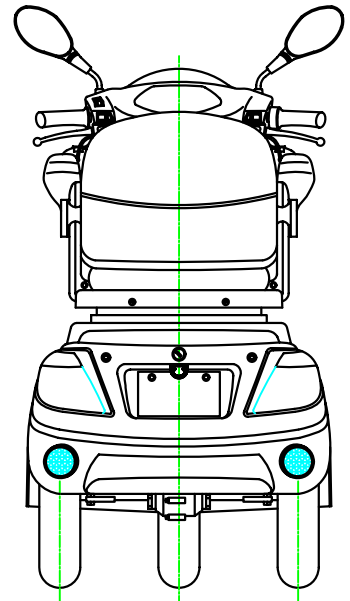
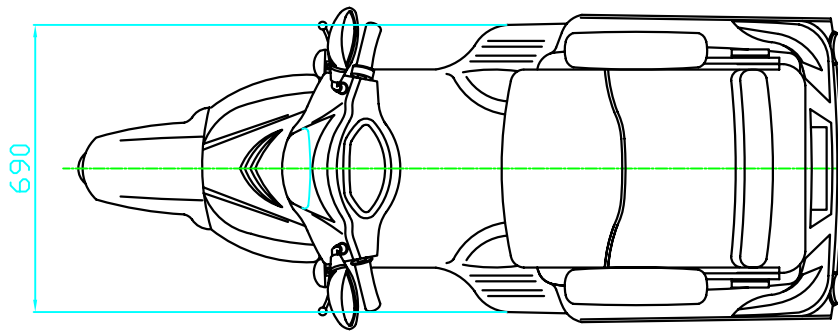
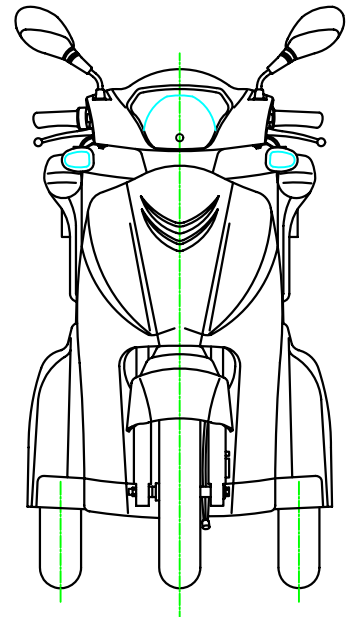
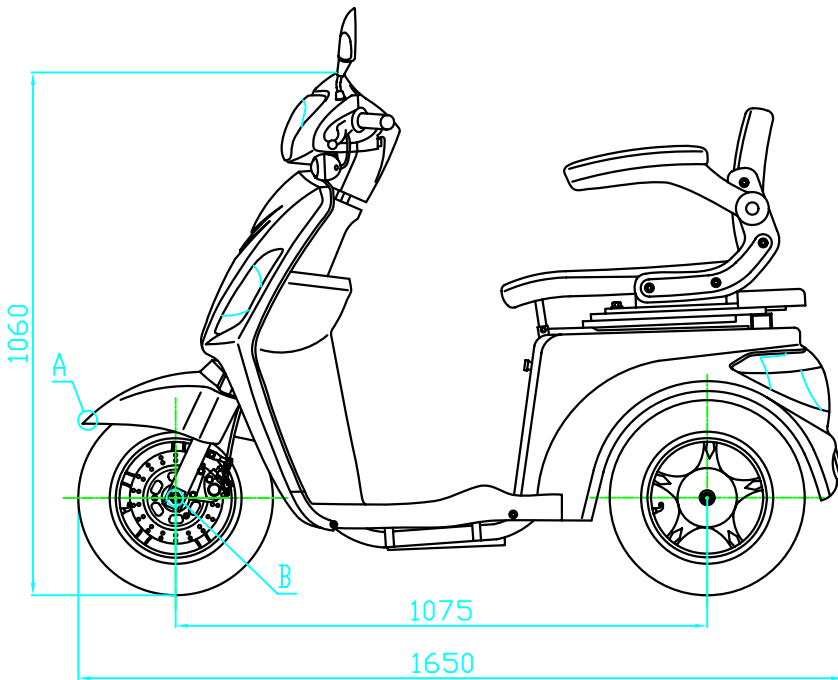
Issue Date: April 25, 2015

PART 2 SEPARATE DIRECTIVE APPROVAL NUMBERS

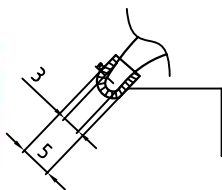
The following information shall be supplied on the vehicle to be type approved with regard to existing system, separate technical unit or component approvals ⁽¹⁾:

Heading No	Separate Directive No	Subject	Approval No ⁽¹⁾	Extension date	Variants and versions covered
18	95/1/EC	Maximum torque and maximum net power of engine	N.A.	--	
19	97/24/EC (C7)	Anti-tampering measures for mopeds and motorcycles	N.A.	--	
20	97/24/EC (C6)	Fuel tank	N.A.	--	
25	95/1/EC	Maximum design speed of vehicle	N.A.	--	
26	93/93/EEC	Masses and dimensions	N.A.	--	
27	97/24/EC (C10)	Trailer coupling devices	N.A.	--	
28	97/24/EC (C5)	Anti-air pollution measures	N.A.	--	
29	97/24/EC (C1)	Tyres	Acc to ECE R75 refer to information part 1	--	
31	93/14/EEC	Braking system	N.A.	--	
32	2009/67/EC	Installation of lighting and light-signalling devices on the vehicle	N.A.	--	
33	97/24/EC (C2)	Lighting and light-signalling devices	Refer to Information part I	--	
34	93/30/EEC	Audible warning device	Refer to Information part I	--	
35	2009/62/EC	Position for the mounting of rear registration plate	N.A.	--	
36	97/24/EC (C8)	Electromagnetic compatibility	N.A.	--	
37	97/24/EC (C9)	Sound level and exhaust system	N.A.	--	
38	97/24/EC (C4)	Rear-view mirror(s)	Refer to Information part I	--	
39	97/24/EC (C3)	External projections	N.A.	--	
40	2009/78/EC	Stand (except in the case of vehicles having three or more wheels)	N.A.	--	
41	93/33/EEC	Devices to prevent unauthorised use of the vehicle	N.A.	--	
42	97/24/EC (12)	Windows; windscreen wipers; windscreen washers; and so on	N.A.	--	
43	2009/79/EC	Passenger hand-hold for two-wheel vehicles	N.A.	--	
44	97/24/EEC (C11)	Anchorage points for safety belts and safety belts	N.A.	--	
45	2000/7/EC	Speedometer	N.A.	--	
46	2009/80/EC	Identification of controls, tell-tales and indicators	N.A.	--	
47	2009/139/EC	Statutory inscriptions	N.A.	--	



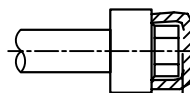


DETAIL AREA A



COVERED BY RUBBER

DETAIL AREA B

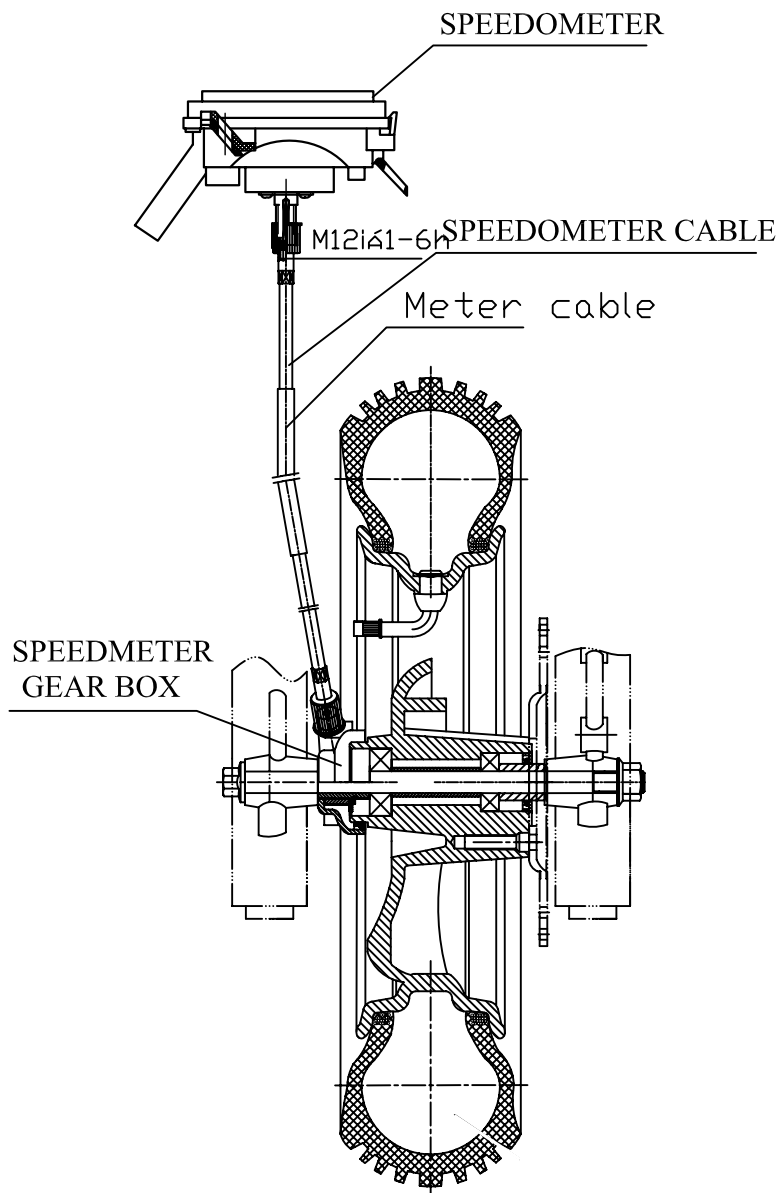


COVERED BY RUBBER



e32*2002/24*0002*00, 14.07.2015.

Vehicle Type	TOL1000D-01
WHOLE VEHICLE-DIMENSION	
Drawing NO.	TOL1000D-01-01

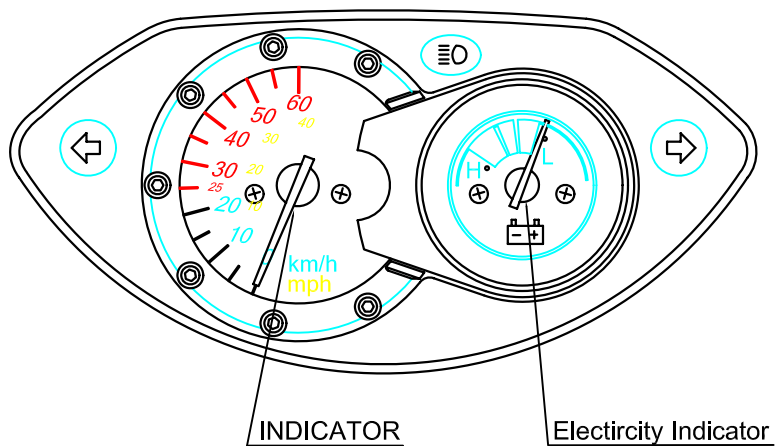


- TRANSMISSION RATIO FOR SPEEDOMETER GEAR BOX:
- TRANSMISSION RATIO FOR SPEEDOMETER WHEN THE REVOLUTION PER MIN. OF CABLE DRIVING FOR SPEEDOMETER IS 1550 SPEEDOMETER INDICATOR SHOW 60km/h



e32*2002/24*0002*00, 14.07.2015.

Vehicle Type	TOL1000D-01
Speedometer(1)	
Drawing NO.	TOL1000D-01-02

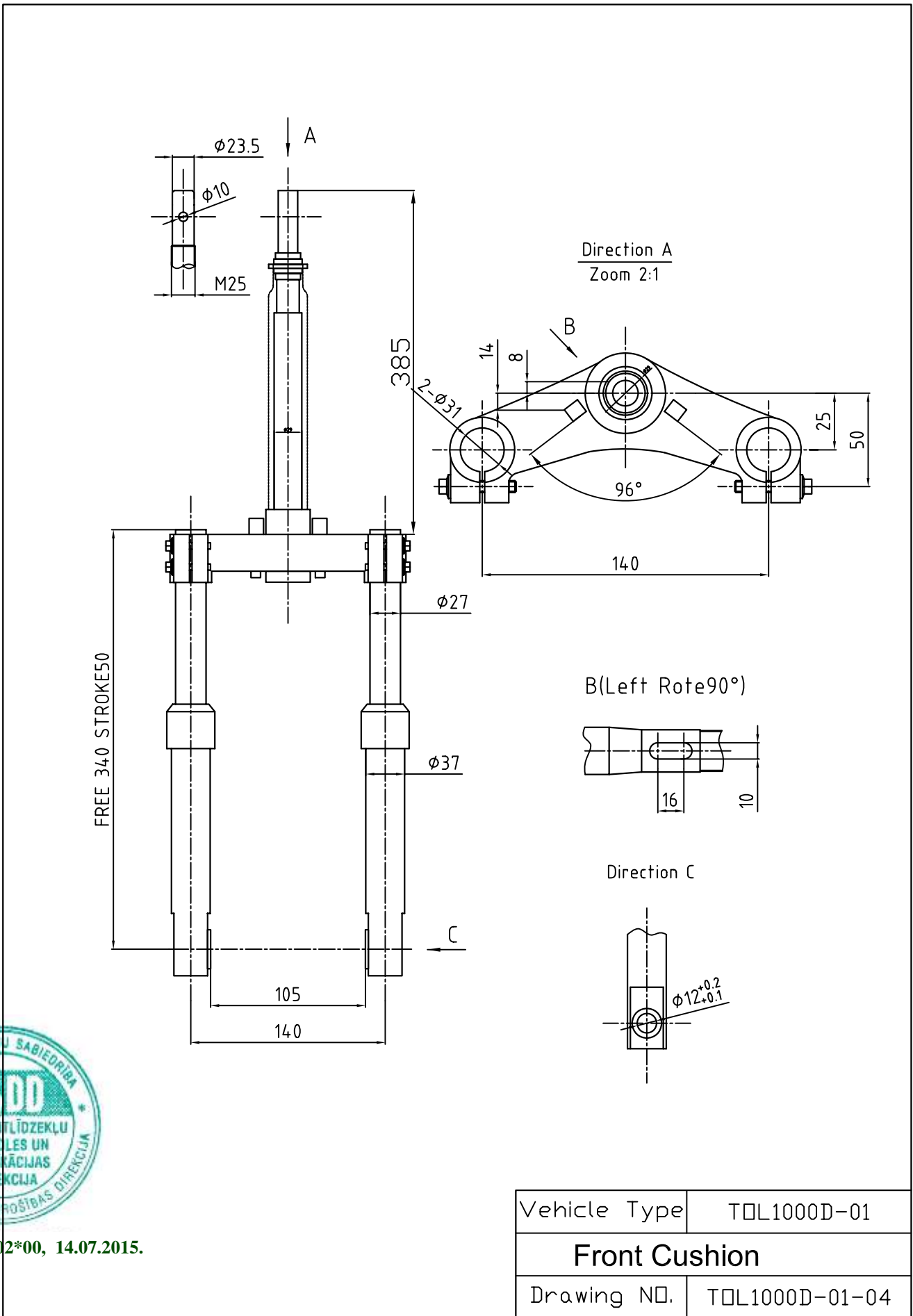


MAKE: YINCHAO
 TYPE: YC-M01



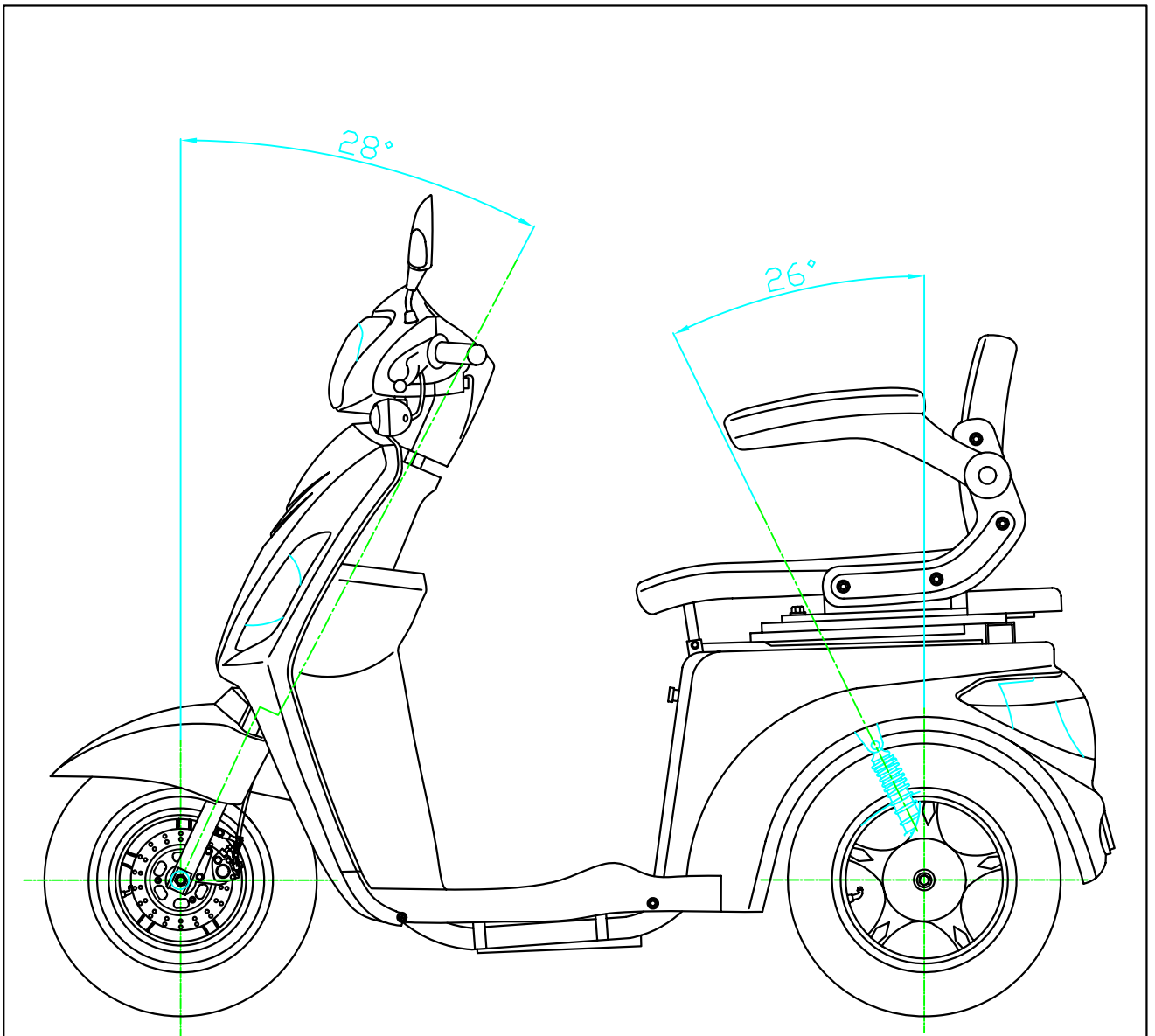
e32*2002/24*0002*00, 14.07.2015.

Vehicle Type	T0L1000D-01
Speedometer (2)	
Drawing NO.	T0L1000D-01-03



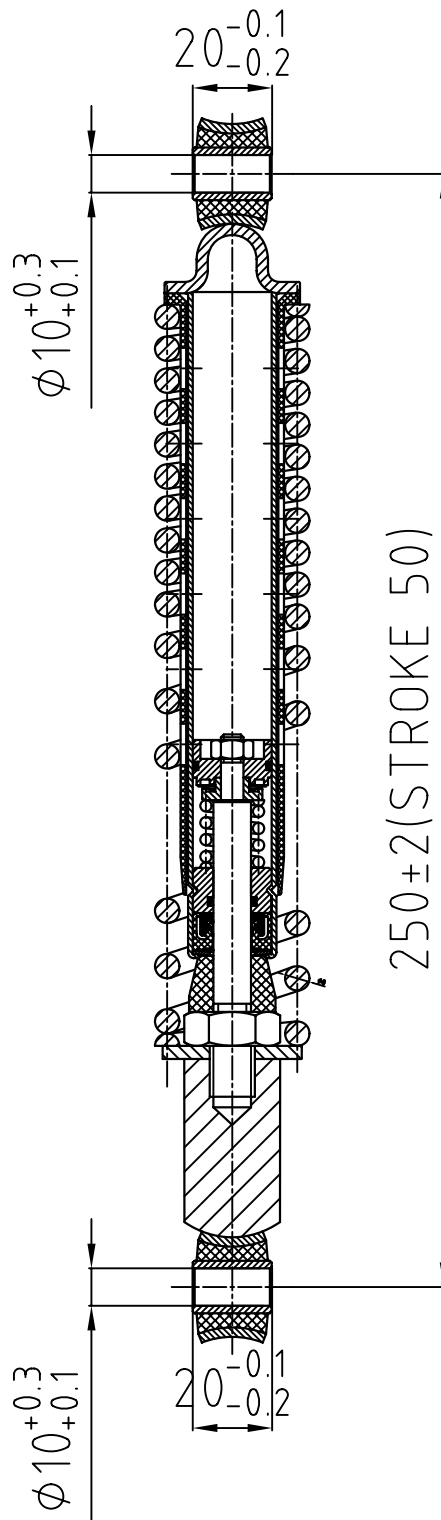
e32*2002/24*0002*00, 14.07.2015.

Vehicle Type	TOL1000D-01
Front Cushion	
Drawing NO.	TOL1000D-01-04



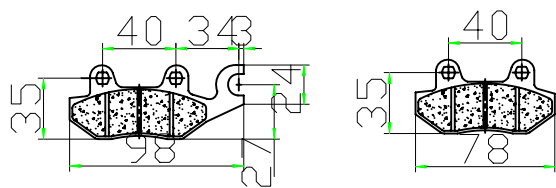
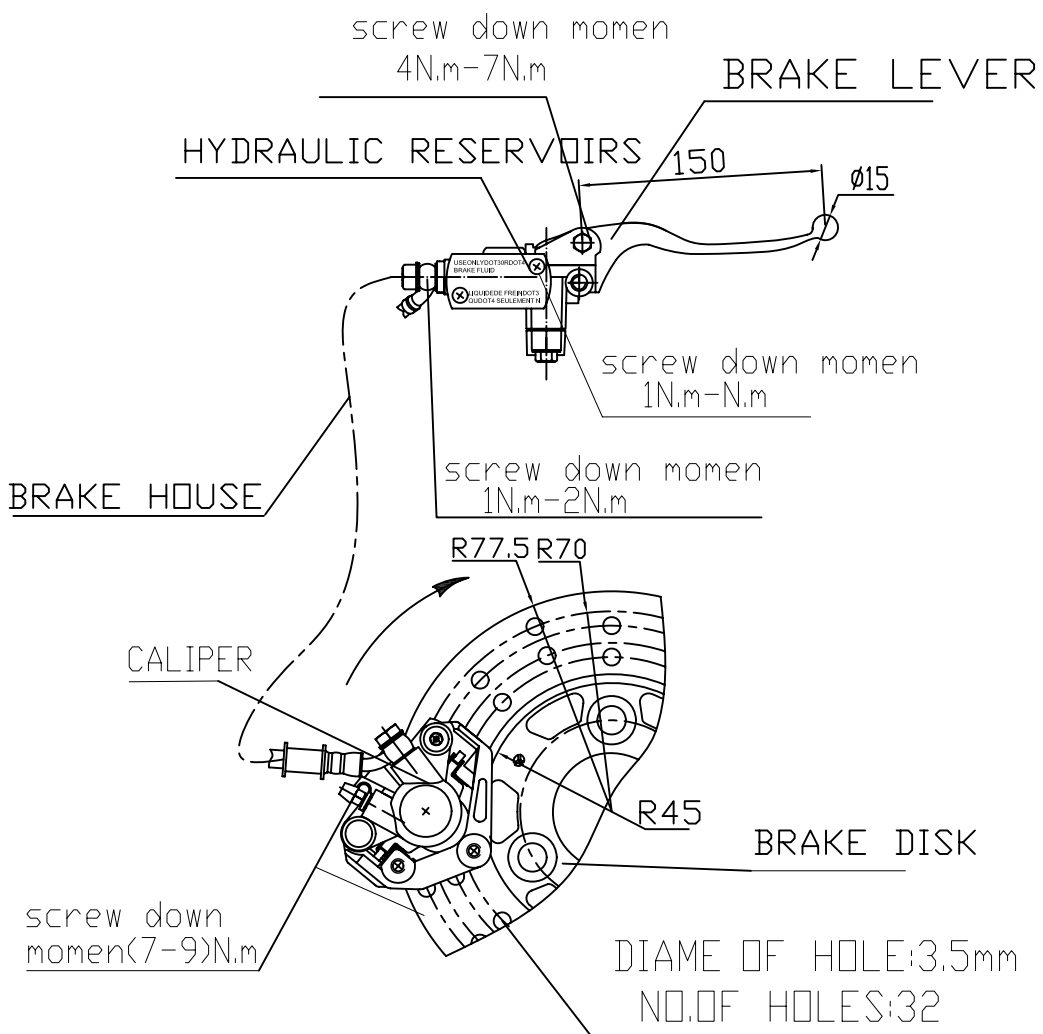
e32*2002/24*0002*00, 14.07.2015.

Vehicle Type	T0L1000D-01
Suspension Arrangement	
Drawing NO.	T0L1000D-01-05



e32*2002/24*0002*00, 14.07.2015.

Vehicle Type	TOL1000D-01
Rear Cushion	
Drawing NO.	TOL1000D-01-06

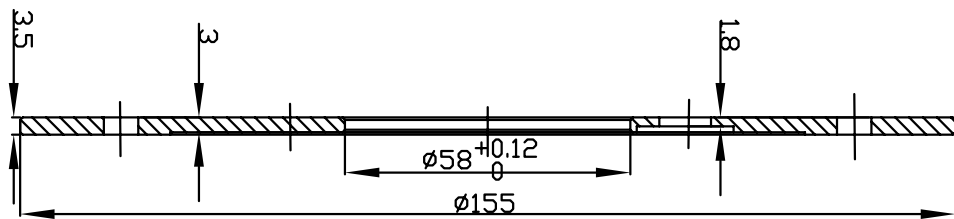
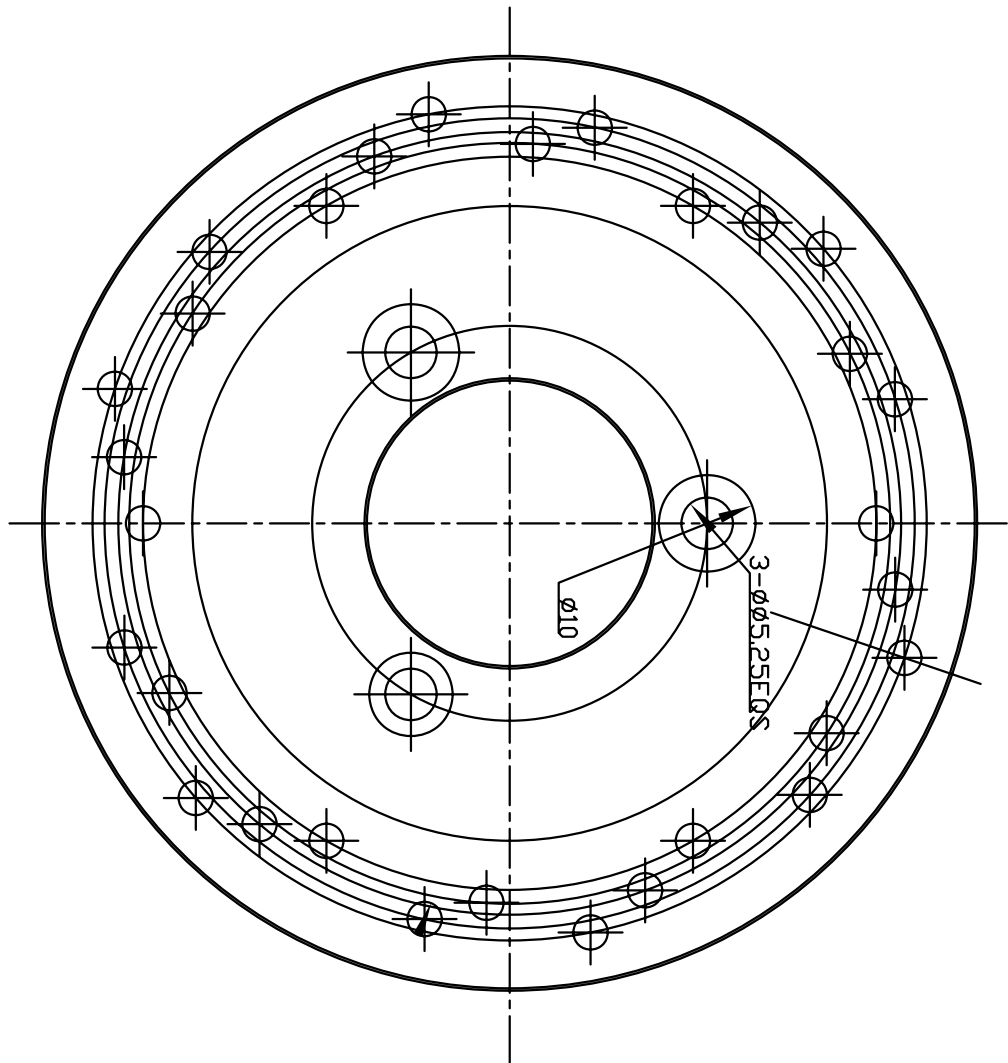


Right brake piece Left brake piece



e32*2002/24*0002*00, 14.07.2015.

Vehicle Type	T0L1000D-01
Front Brake Assy	
Drawing NO.	T0L1000D-01-07



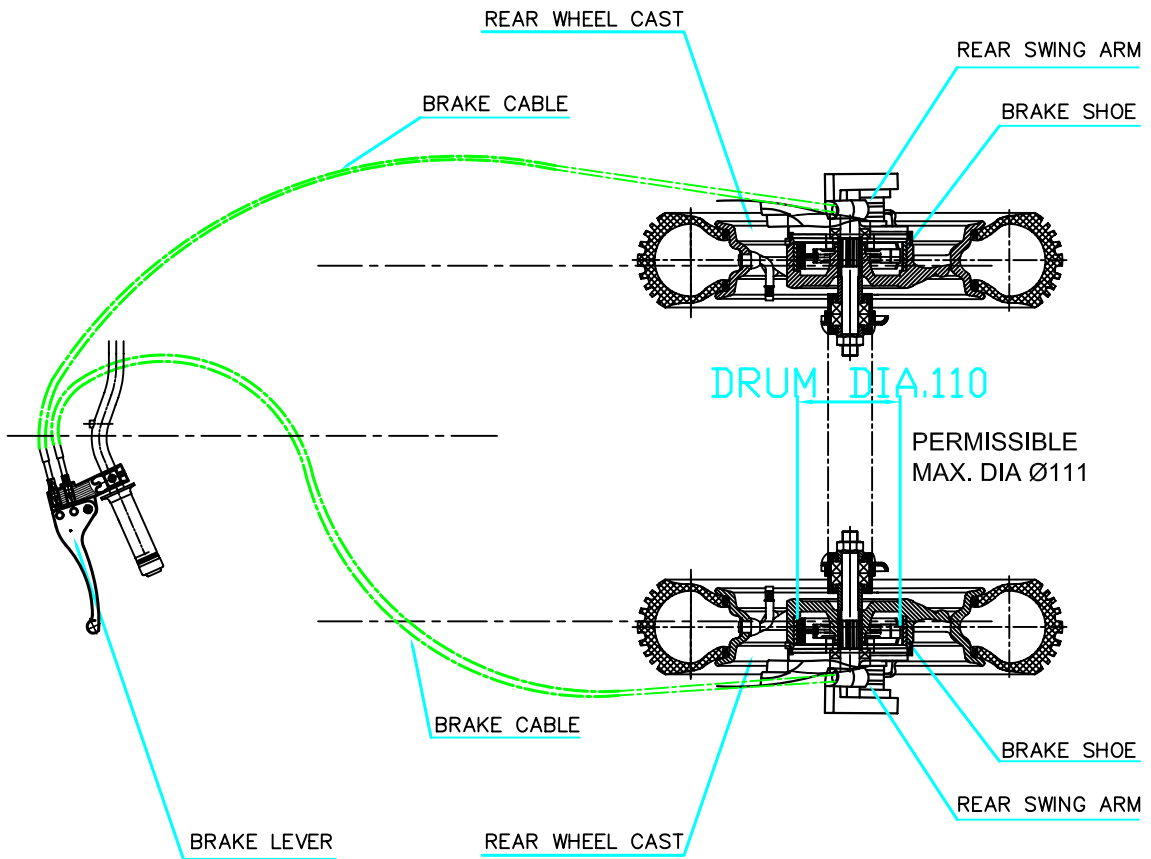
Material: 40Cr TYPE: ø155



e32*2002/24*0002*00, 14.07.2015.

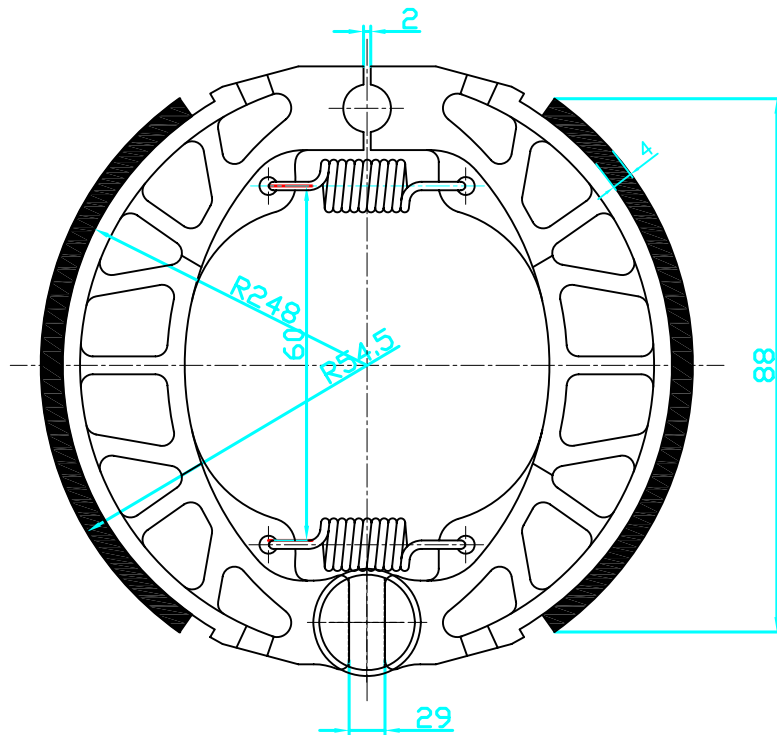
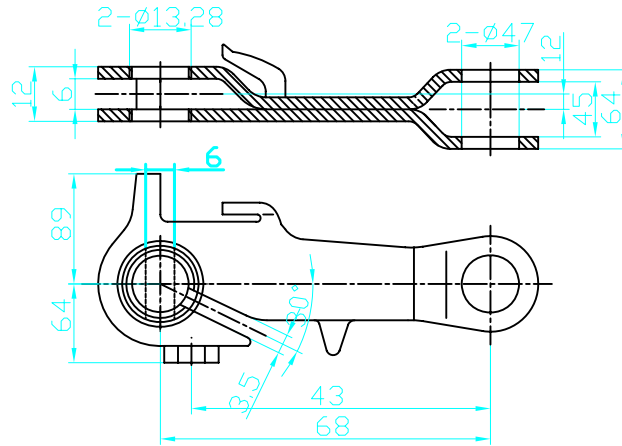
Vehicle Type	TØL1000D-01
Brake Disc	
Drawing NO.	TØL1000D-01-08

REAR



e32*2002/24*0002*00, 14.07.2015.

Vehicle Type	T0L1000D-01
Rear Brake Assy	
Drawing NO.	T0L1000D-01-09



DIAMETER OF DRUM: \varnothing 110mm
 BRAKE SHOE EFFECTIVE SURFACE:



MANUFACTURE: YUHUAN ALUMINUM ALLOY CASTING FACTORY
 TYPE: \varnothing 110
 NO ASBESTOS



e32*2002/24*0002*00, 14.07.2015.

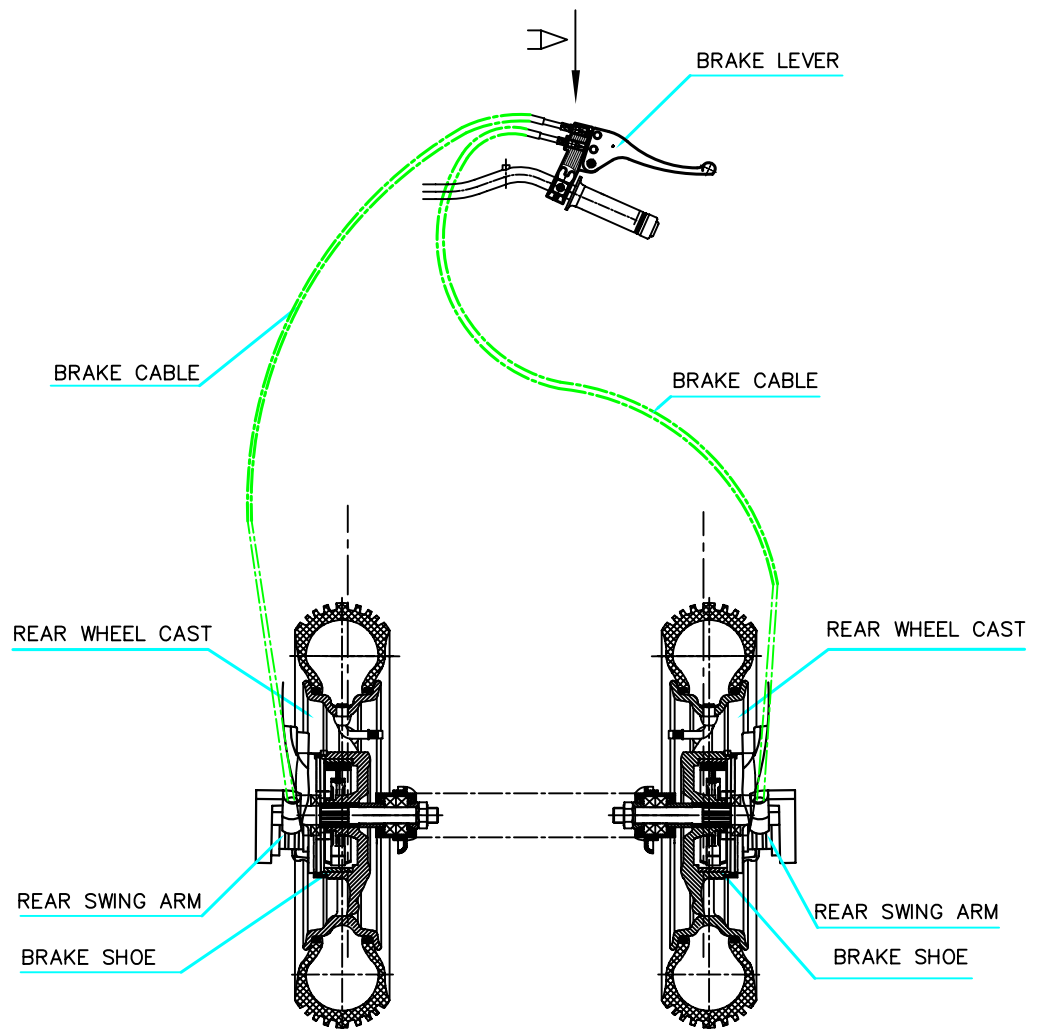
Vehicle Type	TOL1000D-01
BRAKE SHOE	
Drawing NO.	TOL1000D-01-10

DIRECTION A

Unlock the State Diagram

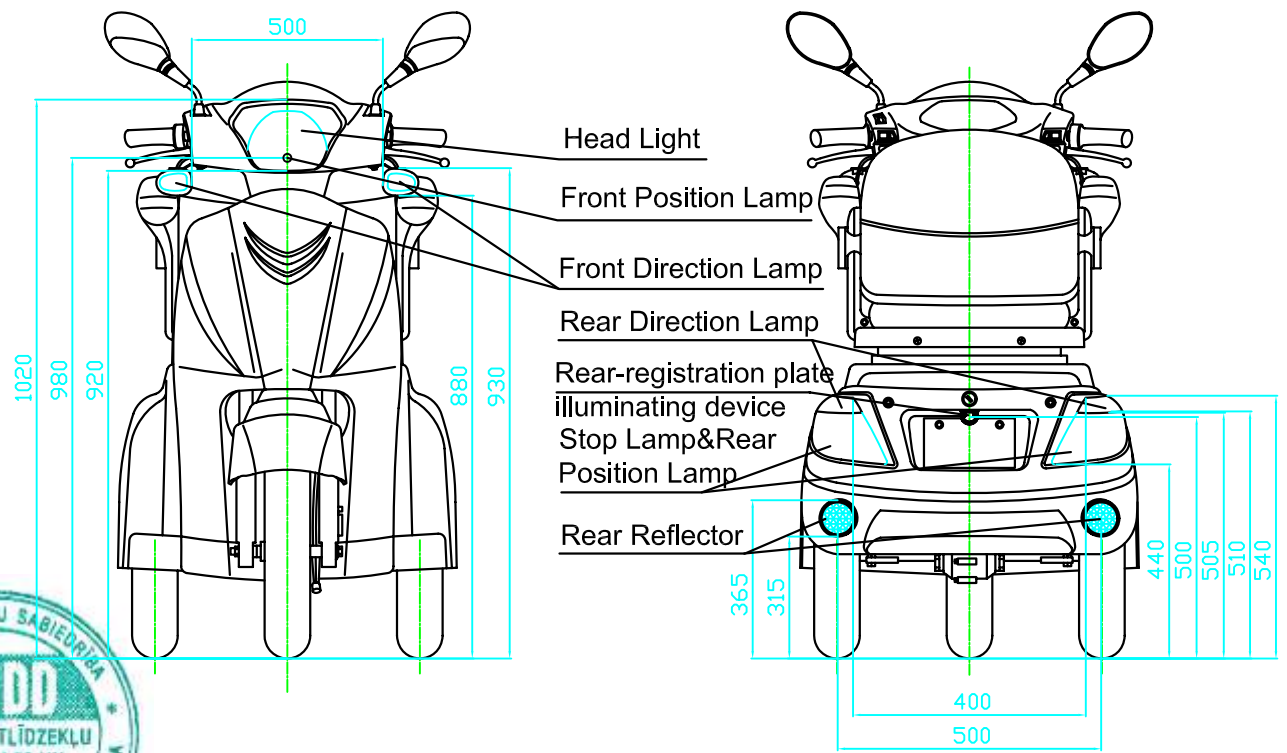
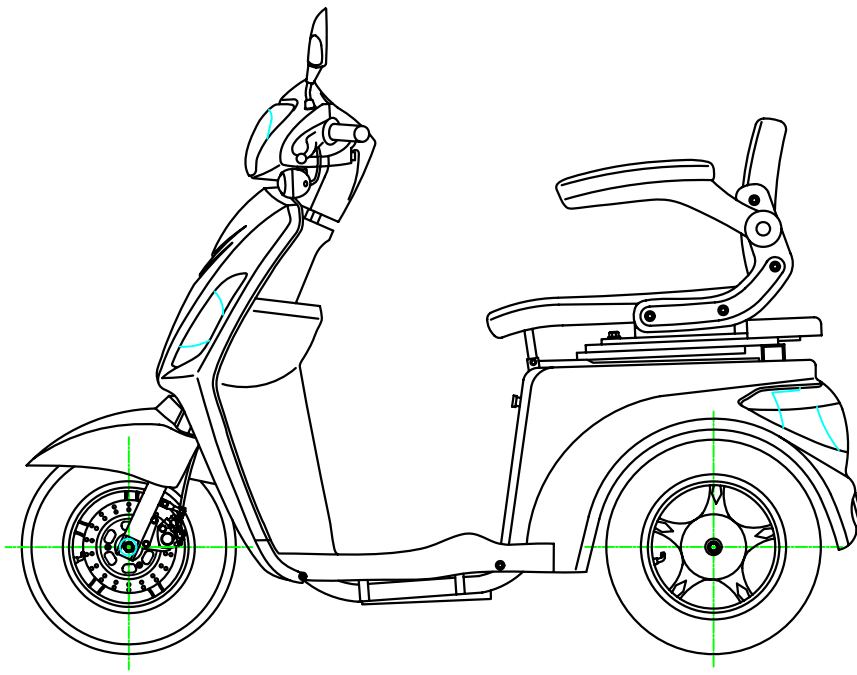


Locking State Diagram



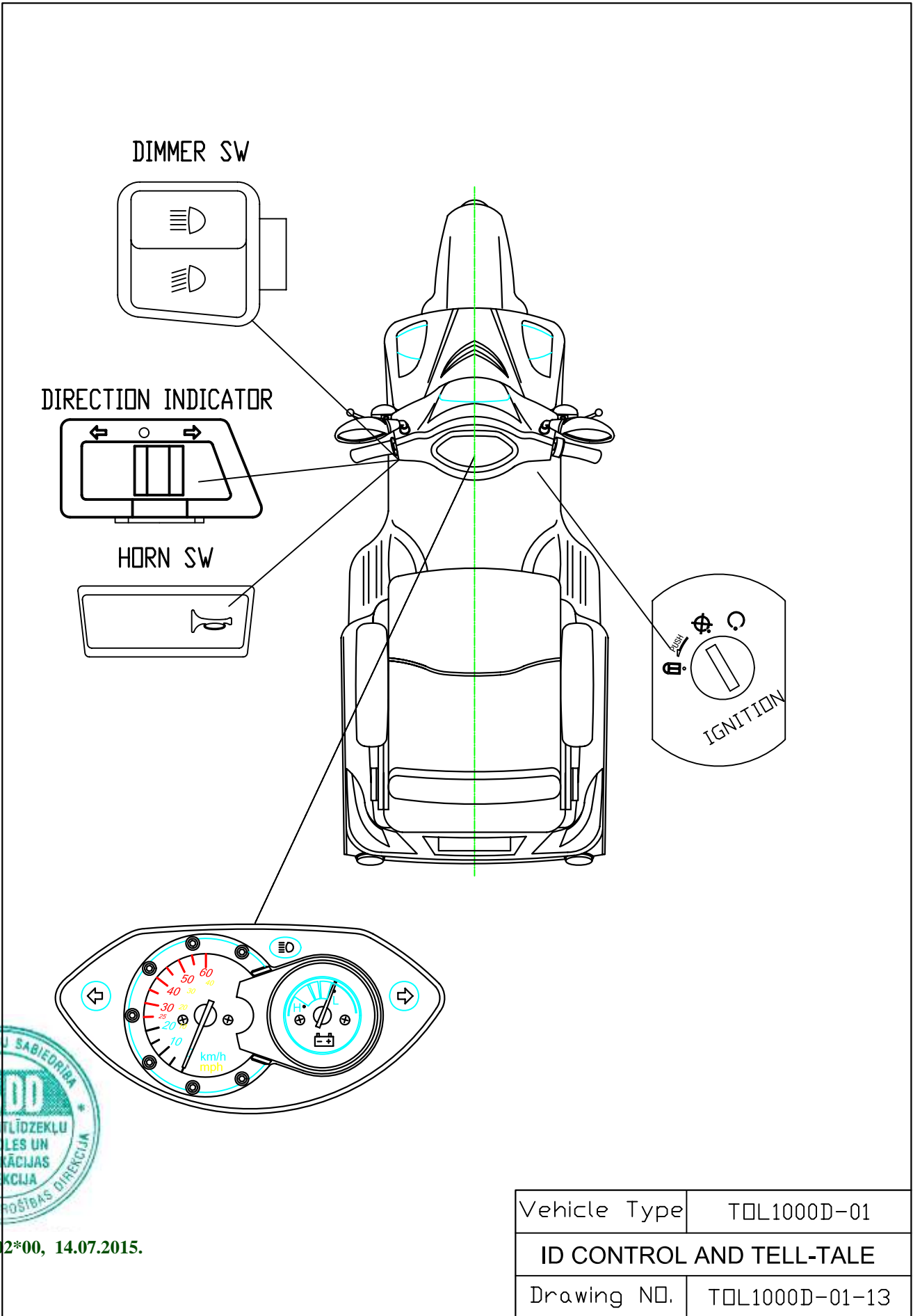
e32*2002/24*0002*00, 14.07.2015.

Vehicle Type	T0L1000D-01
Parking Brake Assy	
Drawing NO.	T0L1000D-01-11

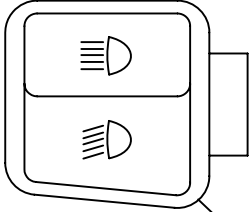


e32*2002/24*0002*00, 14.07.2015.

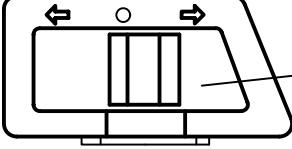
Vehicle Type	TOL1000D-01
LIGHTING INSTALLATION	
Drawing NO.	TOL1000D-01-12



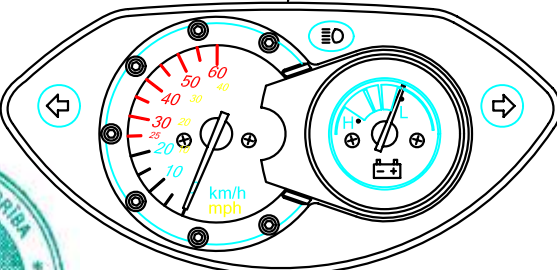
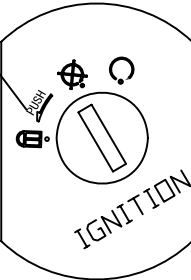
DIMMER SW



DIRECTION INDICATOR



HORN SW



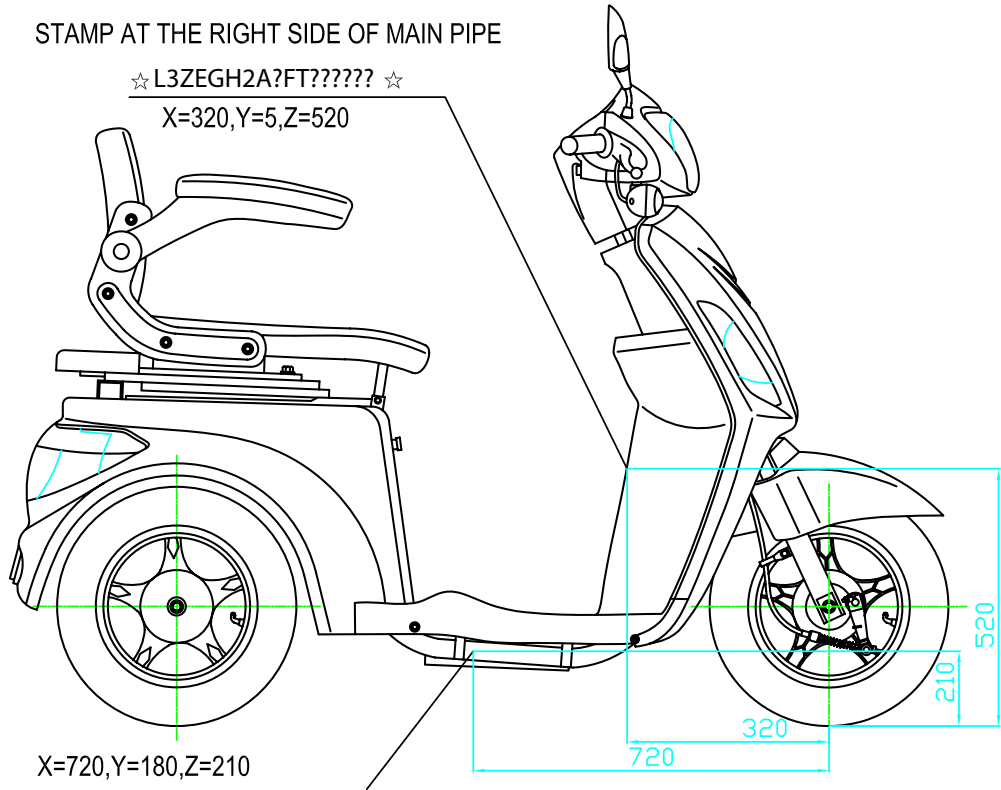
e32*2002/24*0002*00, 14.07.2015.

Vehicle Type	T0L1000D-01
ID CONTROL AND TELL-TALE	
Drawing NO.	T0L1000D-01-13

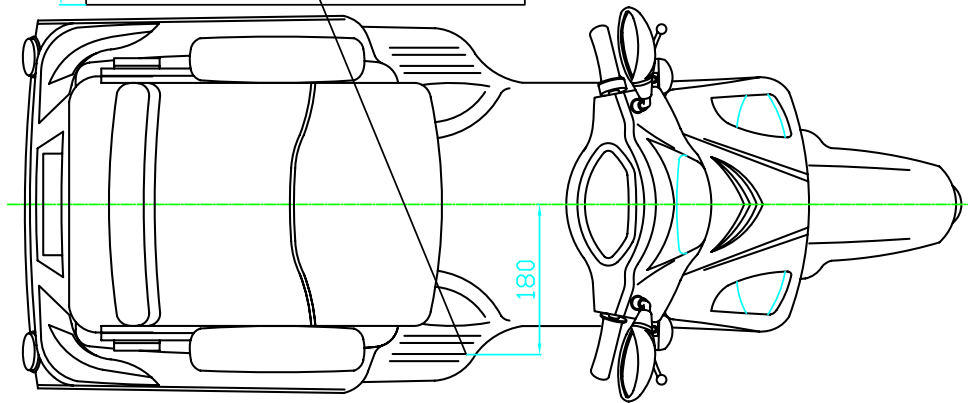
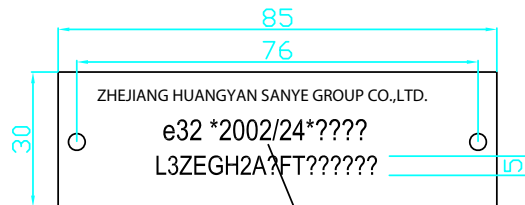
STAMP AT THE RIGHT SIDE OF MAIN PIPE

☆ L3ZEGH2A?FT????? ☆

X=320,Y=5,Z=520

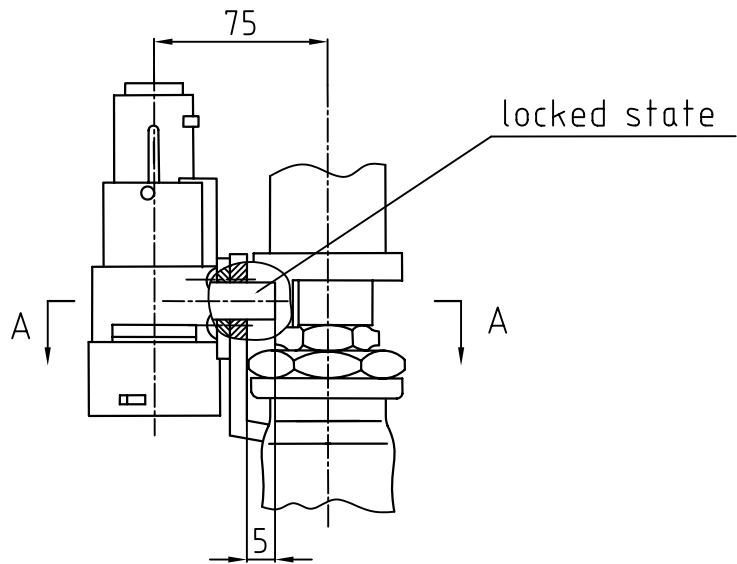


X=720,Y=180,Z=210

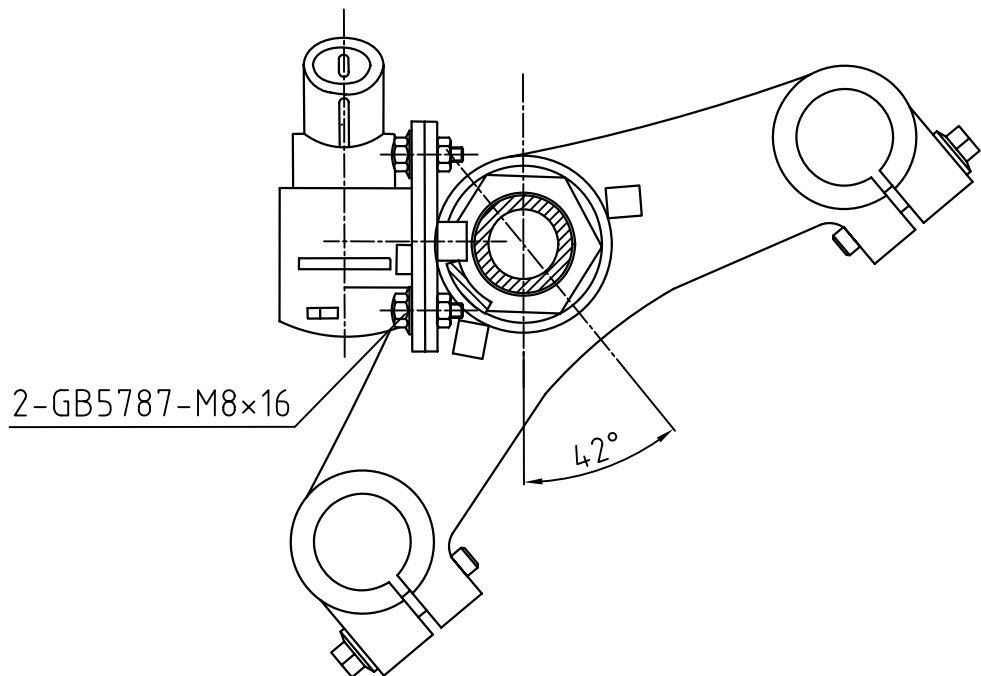


Vehicle Type	T0L1000D-01
Location of the statutory chassis Number&VIN	
Drawing NO.	T0L1000D-01-14

e32*2002/24*0002*00, 14.07.2015.

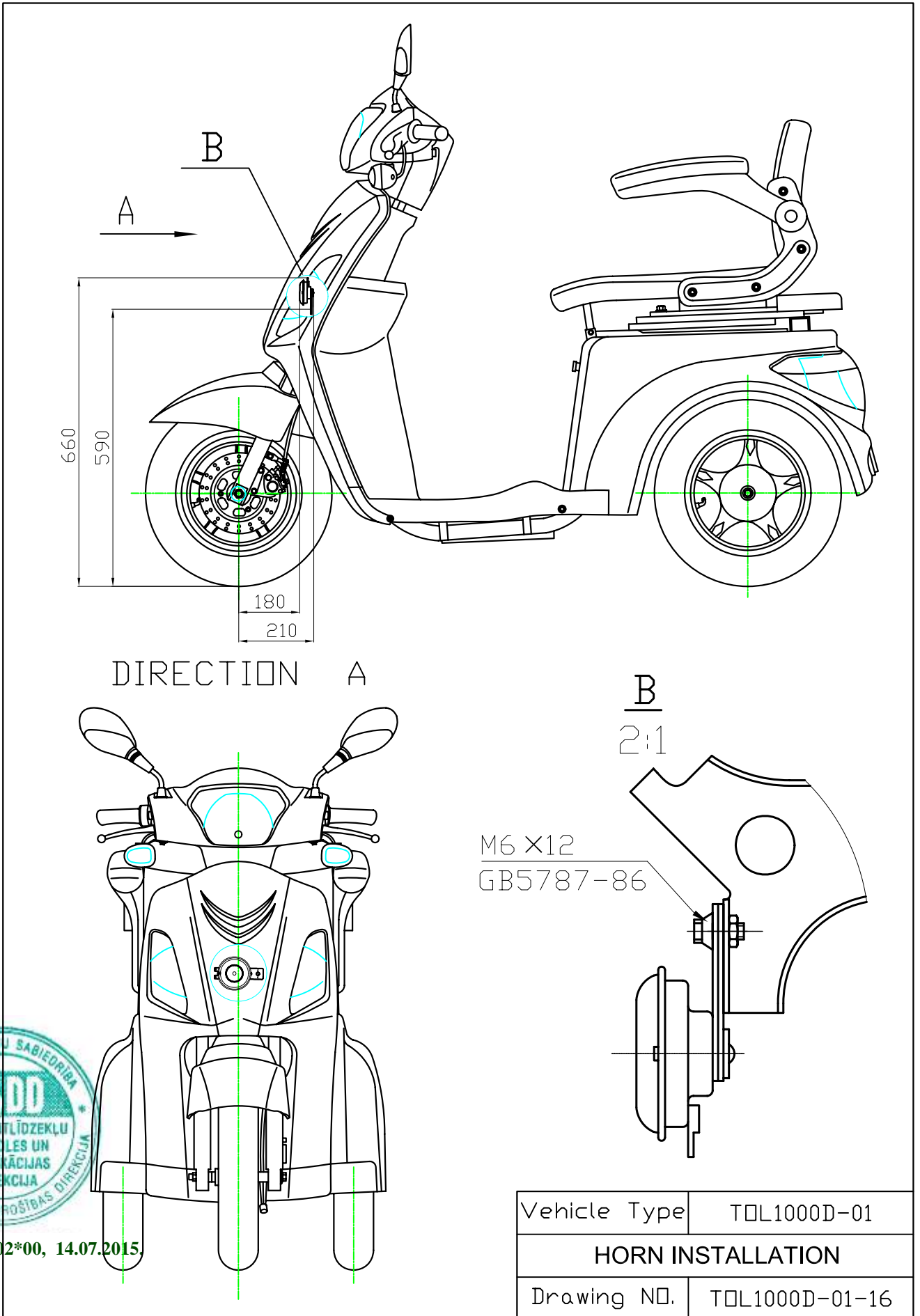


A - A



e32*2002/24*0002*00, 14.07.2015.

Vehicle Type	T0L1000D-01
ANTI-THETF DEVICE	
Drawing NO.	T0L1000D-01-15



DIRECTION A

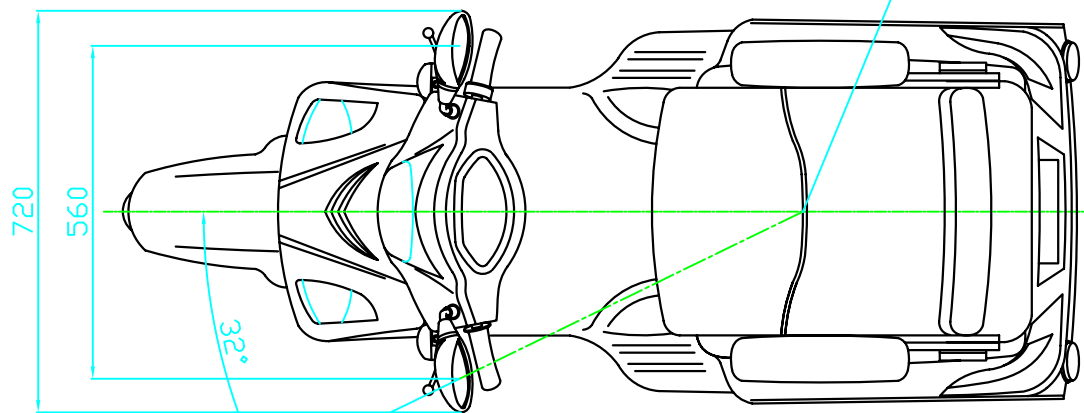
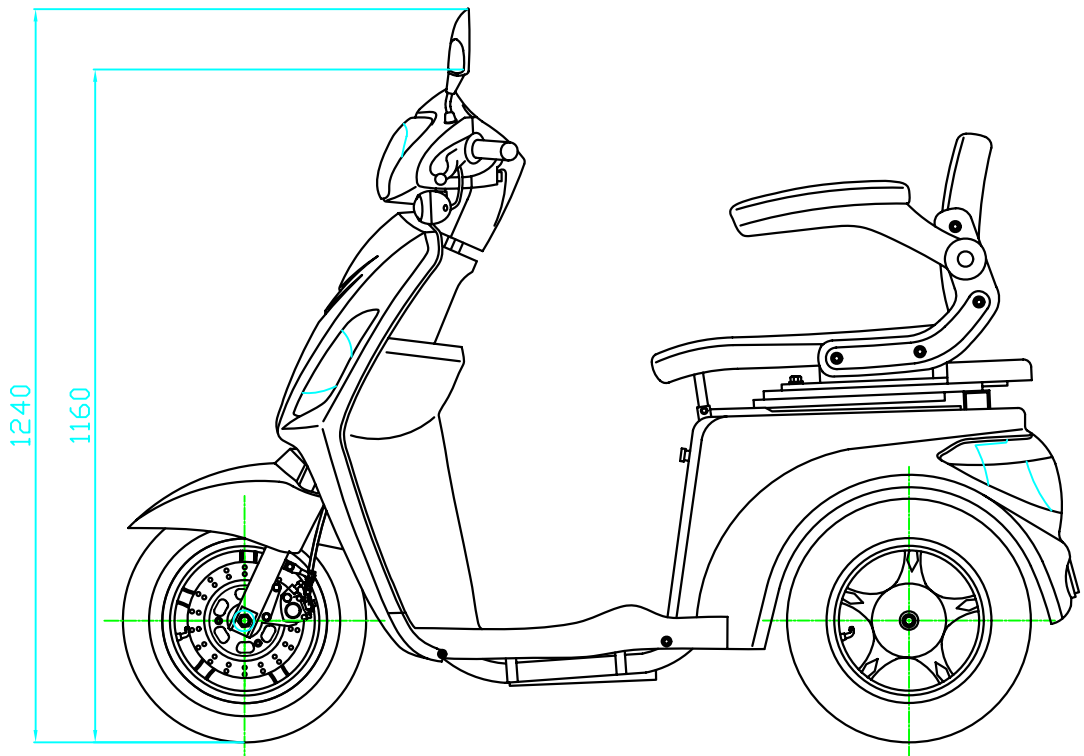
B
2:1

M6 X12
GB5787-86

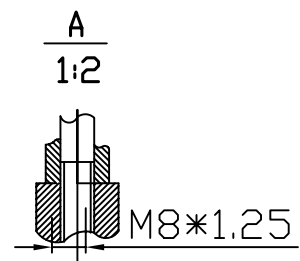
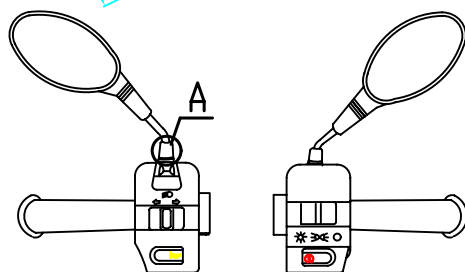


e32*2002/24*0002*00, 14.07.2015.

Vehicle Type	TOL1000D-01
HORN INSTALLATION	
Drawing NO.	TOL1000D-01-16

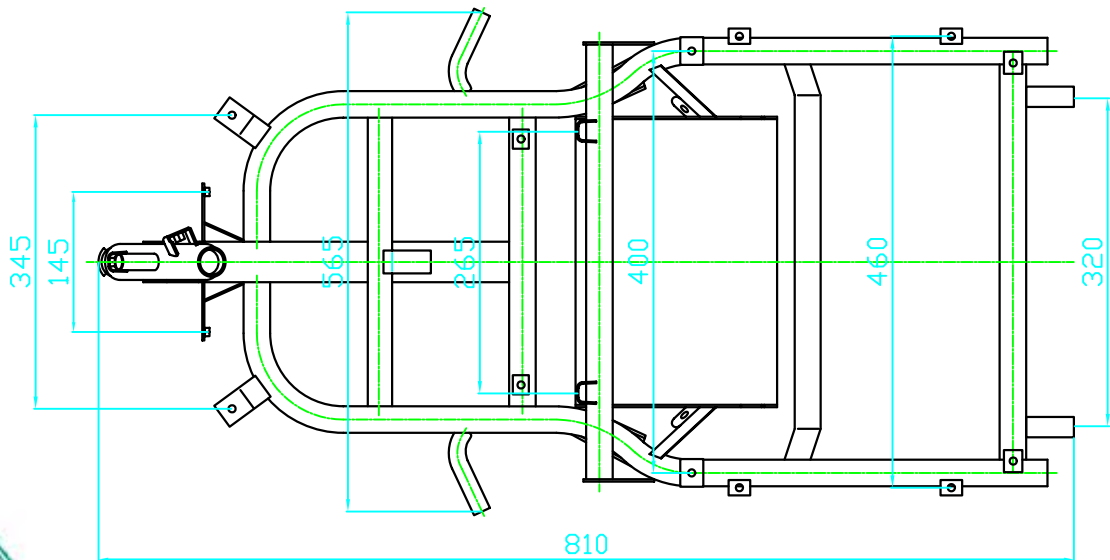
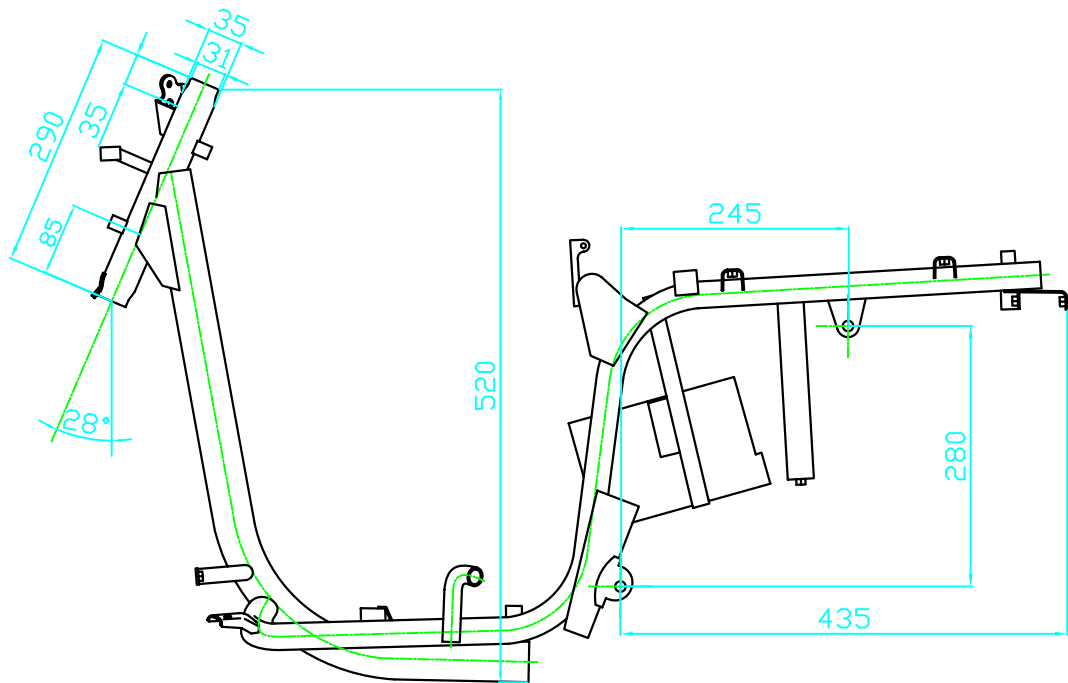


EYE POINT



e32*2002/24*0002*00, 14.07.2015.

Vehicle Type	TOL1000D-01
MIRROR POSITION	
Drawing NO.	TOL1000D-01-17

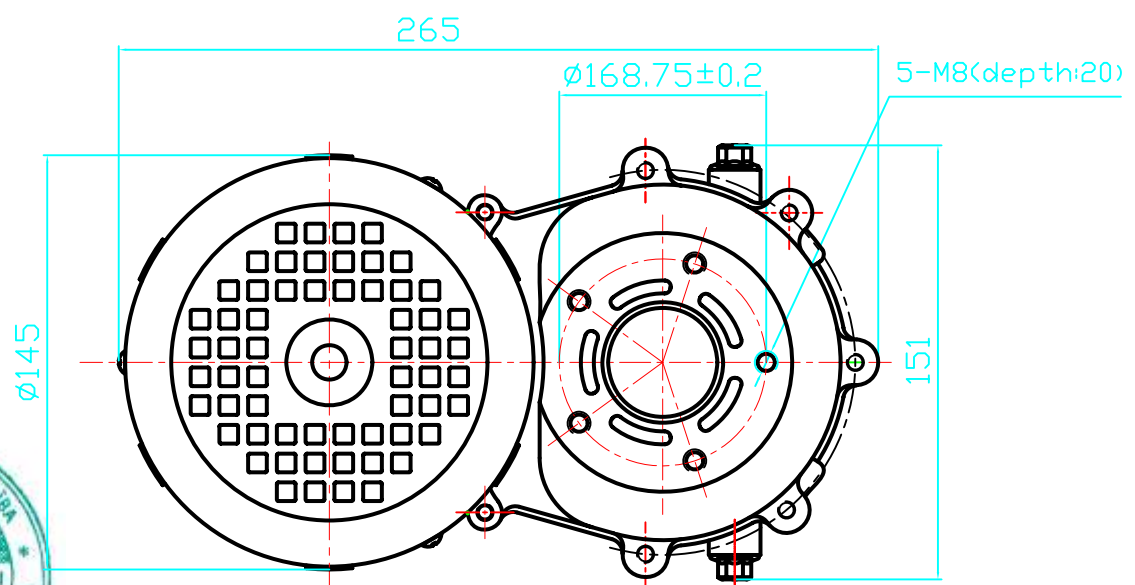
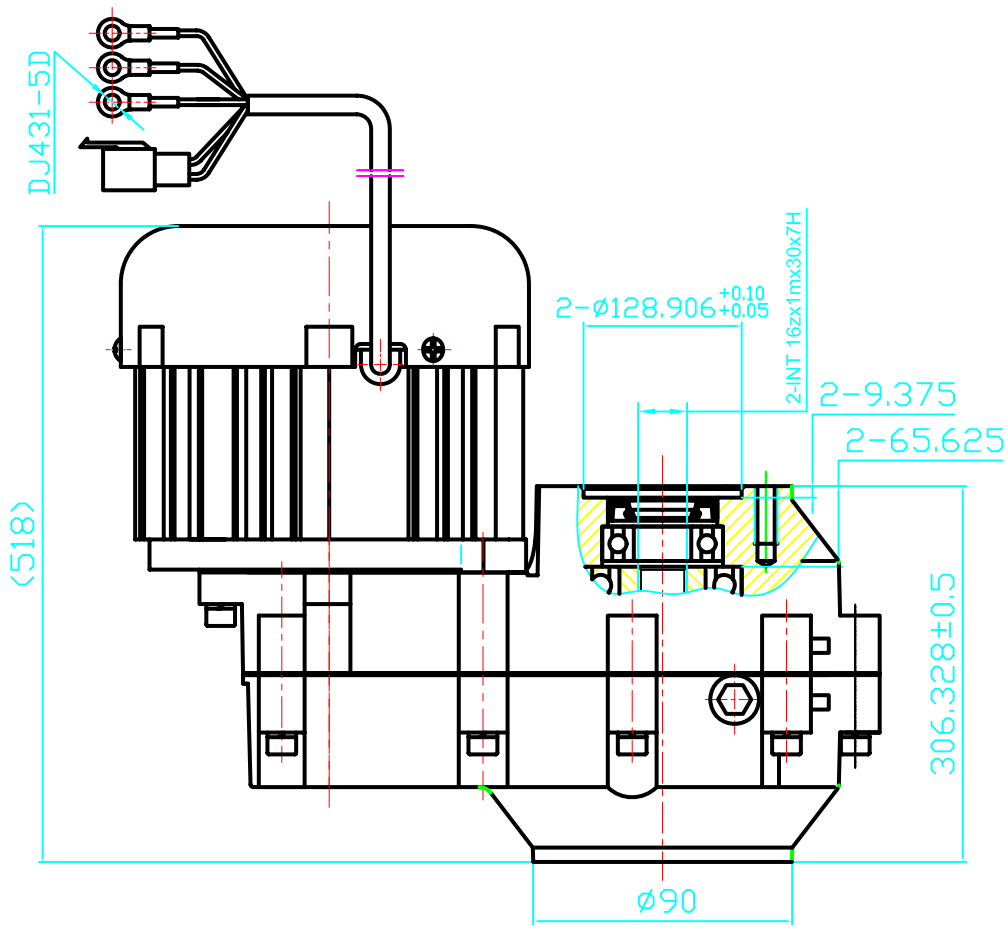


Material of Main Beam:
SteelPipe20 - $\phi 48 \times 3.0$



e32*2002/24*0002*00, 14.07.2015.

Vehicle Type	T0L1000D-01
FRAME BODY	
Drawing NO.	T0L1000D-01-18



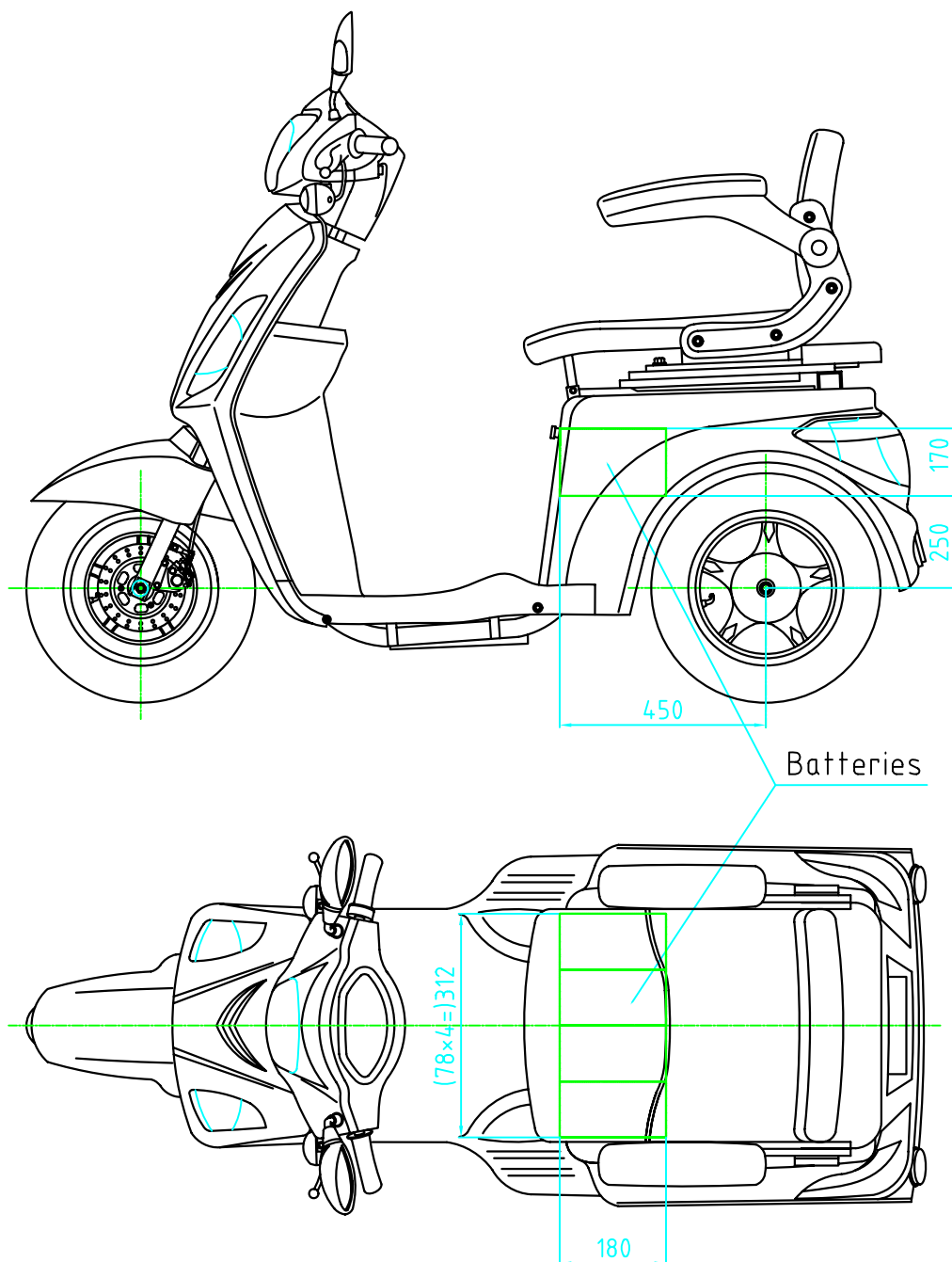
Brushless electric generator

DC: 48V P: 650W, 1000W

DC: 60V P: 650W, 1000W

Controller: Starpower SP800

Vehicle Type	TOL1000D-01
MOTOR	
Drawing NO.	TOL1000D-01-19



e32*2002/24*0002*00, 14.07.2015.

Vehicle Type	T0L1000D-01
LOCATION OF BATTERIES	
Drawing NO.	T0L1000D-01-20

☆ L 3 Z E G H 2 A ? F T 0 0 0 0 0 1 ☆

RUNNING NUMBER

TONGLI COMPANY: T

PRODUCTION YEAR:2015=F,
2016=G,2017=H,2018=J...

CHECK NUMBER CALCULATED
AUTOMATICALLY.POSSIBLE
CHARACTER INCLUDING:
0,1,2,3,4,5,6,7,8,9,X

Seats Number:
A:1C; B:2C.

BRUSHLESS ELECTRIC
MACHINE

Voltage:
H:48V; V:60V.

Electrical machine power:
E:650W; G:1000W.

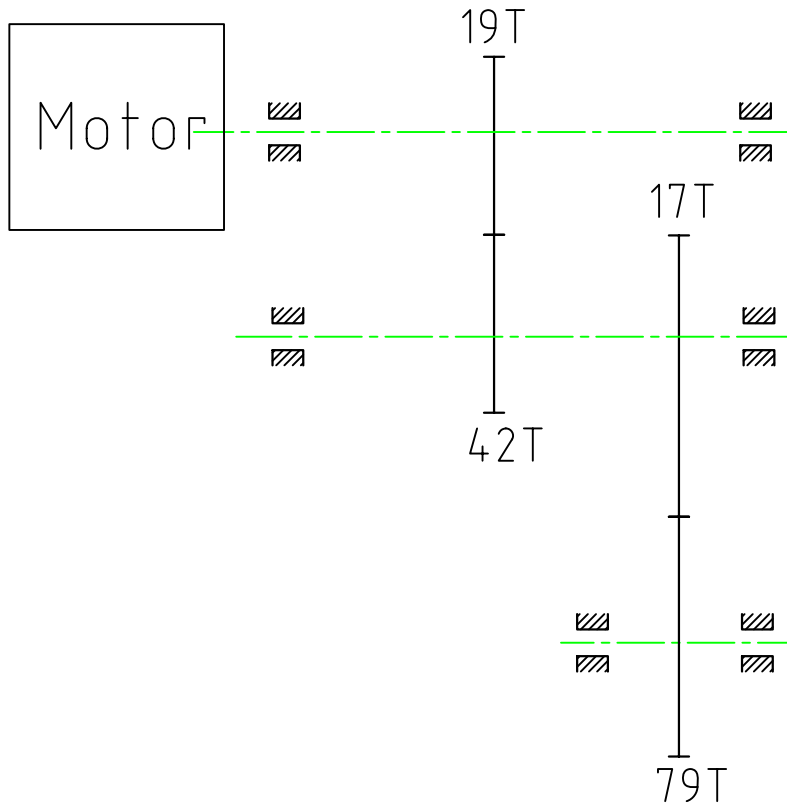
VEHICLE SHAPE :MOPED

WMI



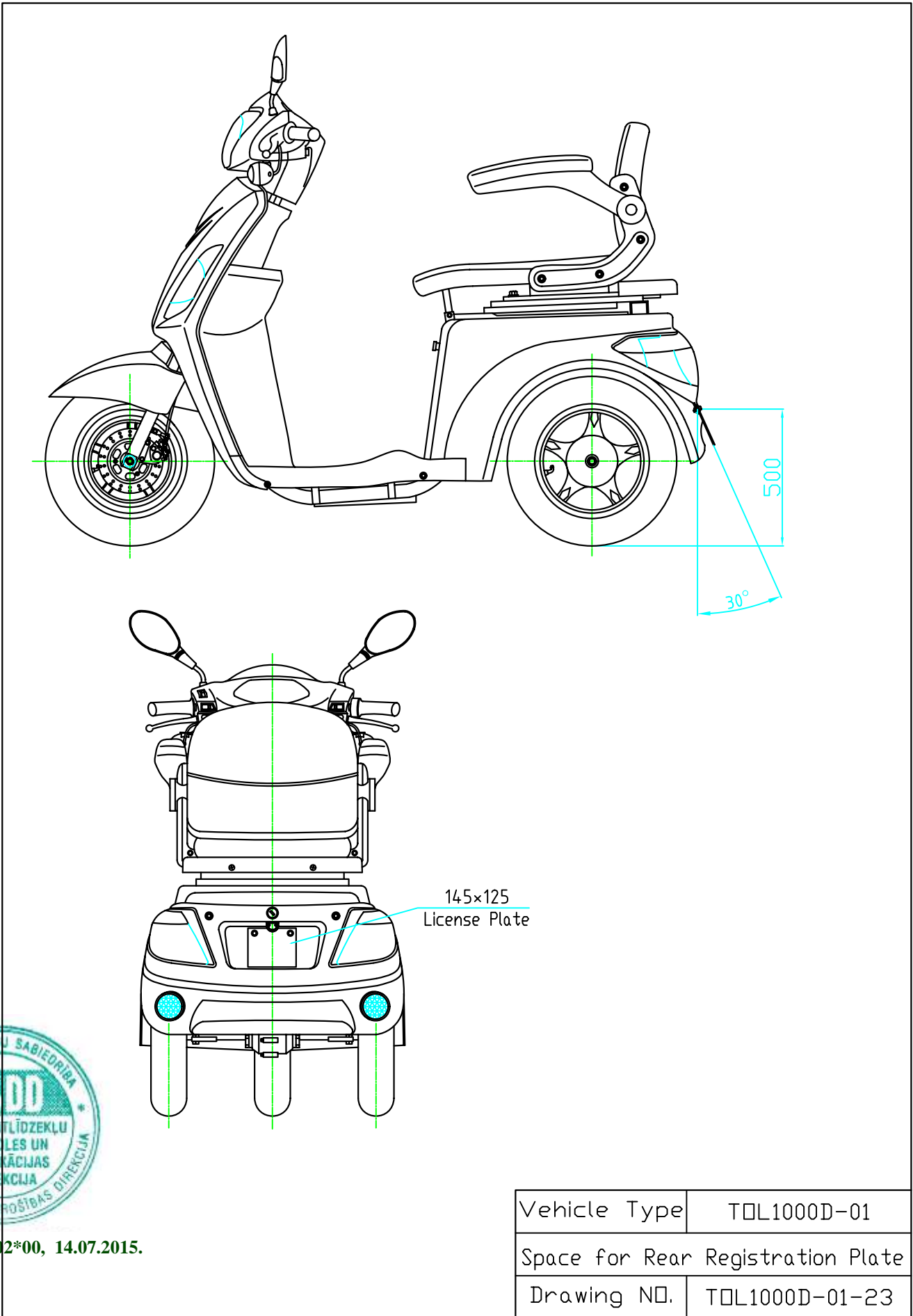
e32*2002/24*0002*00, 14.07.2015.

Vehicle Type	T0L1000D-01
Vehicle identification number	
Drawing NO.	T0L1000D-01-21



e32*2002/24*0002*00, 14.07.2015.

Vehicle Type	T0L1000D-01
Transmission Diagram	
Drawing NO.	T0L1000D-01-22



e32*2002/24*0002*00, 14.07.2015.

Vehicle Type	T0L1000D-01
Space for Rear Registration Plate	
Drawing NO.	T0L1000D-01-23

Zhejiang Huangyan Sanye Group Co.,Ltd.

No.38, Xintang Road, Huangyan District,
Taizhou City, 318020.
P.R. China

To whom it may concern,

For the vehicle type TOL1000D-01:

Acc. to 93/33/EC annex 1, No.3.6

The vehicle's key locking system incorporates more than 1000 different combinations.

Acc. to 93/14/EC amend. 2006/27/EC annex , No. 2.1.1.3.

Brake linings do not contain asbestos.

With best regards,



Mr. Yang Jian/General Manager
Zhejiang Huangyan Sanye Group Co.,Ltd.



Zhejiang Huangyan Sanye Group Co.,Ltd.

No.38, Xintang Road, Huangyan District,
Taizhou City, 318020.
P.R. China

Statement Concerning Authority Of Signature On COC Paper

We, Zhejiang Huangyan Sanye Group Co.,Ltd., declare that the undersigned, Mr. Yang Jian, the General Manager of our company, will be the authorized person to sign the COC paper of the motorcycle.

Type: TOL1000D-01

Specification of signature of COC:



Mr. Yang Jian/ General Manager
Zhejiang Huangyan Sanye Group Co.,Ltd.



Zhejiang Huangyan Sanye Group Co.,Ltd.

No.38, Xintang Road, Huangyan District,
Taizhou City, 318020.
P.R. China

EC CERTIFICATE OF CONFORMITY

The undersigned: Mr. Yang Jian

Hereby certifies that the following vehicle:

- | | | |
|--------|---|---|
| 0.1. | Make: | VIGOROUS |
| 0.2. | Type: | TOL1000D-01 |
| | Variant: | TOL1000D-01 |
| | Version: | A |
| 0.2.1 | Commercial name(s) (where appropriate): | TOL1000D-01 |
| 0.4. | Vehicle category | L2e |
| 0.4.1. | Vehicle category according to Directive 97/24/EC amend.2009/108/EC,Chapter 7 (if applicable): | n.a. |
| 0.5. | Name and address of the manufacturer: | Zhejiang Huangyan Sanye Group Co.,Ltd.
No.38, Xintang Road, Huangyan District,
Taizhou City, 318020. Zhejiang Province,
P.R. China |
| 0.6. | Location of the statutory plate: | R, x 720, y180, z210 |
| | Vehicle identification number: | L3ZE***** |
| 0.7. | Location of the vehicle identification number on the chassis: | R, x320, y5, z520 |

Conforms in all respects to the type described in EC type-approval

— EC type-approval number: e32*2002/24*0002*00

— dated: MM DD, YYYY

The vehicle can be permanently registered without requiring any further approvals, for driving on the right or left and for using metric/imperial units for the speedometer.

Taizhou, P.R.China
(place)

MM DD, YYYY
(date)



(signature)

(position)



Zhejiang Huangyan Sanye Group Co.,Ltd.

No.38, Xintang Road, Huangyan District,
Taizhou City, 318020.
P.R. China

Additional information

1. Number of axles: 2 and wheels: 3
3. Wheel base: 1075mm
- 6.1 Length: 1650 mm
- 7.1 Width: 690 mm
8. Height: 1060 mm
- 12.1. Mass of the vehicle (with bodywork) in running order: 100 kg
- 12.2. Unladen mass of the vehicle: 100 kg
- 14.1. Technically permissible maximum laden mass: 190 kg
- 14.2. Distribution of this mass among the axles: 1. 65kg 2. 125kg
- 14.3. Technically permissible mass on each axle: 1. 100kg 2. 200kg
17. Maximum mass of trailer: (braked): ---kg, (unbraked):---kg
- 19.1. Maximum vertical load at the coupling point for a trailer: ---kg
20. Engine manufacturer: Taizhou Eureka Mechanical and electrical Co.,Ltd.
21. Engine type as marked on the engine: YWDJ010-1000
- 21.2. Engine number: xxxxxxxxx
22. Working principle: electric/ ~~spark ignition~~ / ~~compression ignition~~, four / two stroke
23. Number and arrangement of cylinders: ~~H/V/O/S~~
24. Cylinder capacity: -- cm³
25. Fuel: ~~P/D/M/LPG/O~~
26. Maximum net power or maximum continuous rated power as applicable: 1 kW at --- min⁻¹
- 26.1. Ratio: maximum net power or maximum continuous rated power/mass of the vehicle in running order: 0.01 (kW/kg)
28. Gearbox (type): A
29. Gear ratios: 10.37
2. Tyre size designation: Axle 1: 3.00-10 Axle 2: 3.00-10
37. Body: yes/no
41. Number and configuration of doors : not applicable
- 42.1. Number and position of seats: 1, r1: 1C
- 43.1. Approval mark of coupling device, if fitted: not applicable
44. Maximum speed: 25 km/h
45. Sound level : 97/24/EC amend. 2009/108/EC chapter 9
Stationary: --- dB(A) at engine speed: --- min⁻¹
Drive-by: --- dB(A)
46. Exhaust emissions: 97/24/EC amend. 2009/108/EC chapter 5,
Type I test: CO : --- g/km HC: --- g/km
NO_x: ---g/km HC+ NO_x : --- g/km
Type II test: for mopeds: CO : g/min HC: g/min
for motorcycles and tricycles: CO : --- % vol
Visible air pollution caused by an engine with compression ignition: ---
— corrected value of absorption coefficient : --- m⁻¹
47. Fiscal power or national code number (s) :
Italy : France : Spain :
Belgium : Germany : Luxembourg :
Denmark : Netherlands : Greece :
United kingdom : Ireland : Portugal :
Austria : Sweden : Finland :
Czech Republic : Estonia : Cyprus :
Latvia : Lithuania : Hungary :
Malta : Poland : Slovenia :
Slovakia : Romania : Bulgaria :
50. Remarks : ---
51. Exemptions : ---



Manufacturer: Zhejiang Huangyan Sanye Group Co.,Ltd.
 Type: TOL1000D-01

Precisely Right.

TEST REPORT

according to Council Directive on the approximation of
 the laws of the Member States relating to the

Type-approval of two or three-wheel motor vehicles

2002/24/EC

including all amendments until

2013/60/EU

(including the administrative provisions of
 Regulation (EC) No. 1137/2008)

and

according to ECE-Regulation

Previously granted	
EEC - system type approval	: ---
ECE - certificate	: ---

Structure of the Test Report:

0. General information
1. Tested vehicle(s)
2. Test record
3. List of appendices
4. Statement of conformity



The Test Report shall be reproduced and published in full by the client only. It shall however be reproduced partially with the written permission of the Testing Laboratory only.

e32*2002/24*0002*00, 14.07.2015.

Manufacturer: Zhejiang Huangyan Sanye Group Co.,Ltd.
Type: TOL1000D-01

Precisely Right.

0. General information

- 0.1 Make (trade name of the manufacturer) : VIGOROUS, TOL, SNOW, KRAL, EAGEL, AMGDR, ECO ENGEL, LOFTY
- 0.2 Type : TOL1000D-01
 Variants : Variant 1: TOL1000D-01
 Variant 2: TOL650D-01
 Versions : A, B
- 0.3 Category of vehicle : L2e
- 0.4 Name and address of the manufacturer : Zhejiang Huangyan Sanye Group Co.,Ltd.
 No.38, Xintang Road, Huangyan District,
 Taizhou City, 318020. Zhejiang Province,
 P.R. China
- 0.5 Order issued by (if different from manufacturer) : ---
- 0.6 No. of information folder : TOL1000D-01-00
 date of issue : April 25, 2015
 date of last amendment : ---



e32*2002/24*0002*00, 14.07.2015.

Manufacturer: Zhejiang Huangyan Sanye Group Co.,Ltd.
Type: TOL1000D-01

Precisely Right.

1. Tested vehicle(s)

1.1. Description

- 1.1.1 Vehicle : three wheel moped
- Commercial description : TOL1000D-01, TOL650D-01, KR-11, VESTA2250, VIGOROUS800
- Type / variant(s) / version(s) : TOL1000D-01 / TOL1000D-01, TOL650D-01 / A,
- Identification number : Without, Prototype
Engine no.: 150313101
- 1.1.2 Condition of vehicle(s) : New
- 1.2. Worst case selection : The determination of worst case scenario was done according QMA 1.301.005, section 6.2.2.2.
- 1.3. Remarks : All versions of the vehicle type as stated in the information folder are covered by the tested vehicle version(s) respectively.



e32*2002/24*0002*00, 14.07.2015.

2. Test record

- 2.1. Equipment for measuring and testing : The test facilities / measurement equipment used were in compliance with the test requirements.
- 2.1.1 Specifications for the test site : Not applicable
- 2.1.2 Subcontracting : Not applicable
- 2.2. Test results : See Appendix 1
- 2.2.1 Test results referring to measurements : All measurement results are listed and referred to the respective limit(s) with judgment.
- 2.2.2 Attributive tests : See Appendix 8, 21, 22
- 2.2.3 Alternative test provisions : Not applicable
- Remarks concerning extension : ~~The vehicle type has been tested according to the modification(s) mentioned in appendix 0.~~
~~The new parts meet the requirements of the Directives.~~
~~An actual practical test of the vehicle was not necessary.~~
~~The results of the previous test(s) are still valid.~~
- 2.3. Additional information : The results of the test refer exclusively to the object(s) mentioned under point 1. of this report.
- Test site : Wuxi, P.R.China
- Test date : May 20, 2015 to June 25, 2015
- 2.4. Remarks : --



e32*2002/24*0002*00, 14.07.2015.

Manufacturer: Zhejiang Huangyan Sanye Group Co.,Ltd.
 Type: TOL1000D-01

3. Appendices

0	List of modifications	
1	Test minutes of frame directive	: 5 Pages
2	Test minutes of braking system	: 3 Pages
3	Test minutes of audible warning device	: 1 Page
4	Test minutes of protection device	: 1 Page
5	Test minutes of mass and dimension	: 1 Page
6	Test minutes of maximum speed	: 2 Pages
7	Test minutes max. engine power and torque	: Not applicable
8	Test minutes of fitting of tyre	: 1 Page
9	Test minutes of external Projection	: 1 Page
10	Test minutes of rear mirror	: 1 Page
11	Test minutes anti-pollution devices	: Not applicable
12	Test minutes of fuel tank	: Not applicable
13	Test minutes anti-tampering measures	: Not applicable
14	Test minutes noise-measuring	: Not applicable
15	Test minutes EMC-measuring	: 3 Pages
16	Test minutes speedometer-measuring	: 1 Pages
17	Test minutes Rear registration plate	: 1 Page
18	Test minutes Lighting installation	: 3 Pages
19	Test minutes stands	: Not applicable



e32*2002/24*0002*00, 14.07.2015.

Manufacturer: Zhejiang Huangyan Sanye Group Co.,Ltd.
Type: TOL1000D-01

Precisely Right.

- 20 Test minutes hand hold : Not applicable
- 21 Test minutes identification of controls, tell-
tales and indicators : 1 Page
- 22 Test minutes Statutory marking : 1 Page
- 23 Test minutes of safety belt anchorages : Not applicable
- 24 Test minutes of Wiper and Washer
measuring : Not applicable

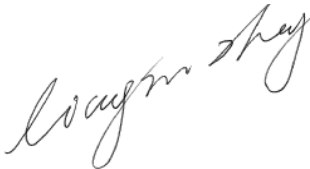
Information folder

4. Statement of conformity

The in point 0.5. mentioned information folder and the type described in that comply with the requirements mentioned on page 1. With regard to the required level of performance to be achieved, the tested items were representative for the type to be approved (see point 1.2.). The mentioned test results refer to the vehicle(s) described under point 1.1. of this report.

Engineering Center, Shanghai, July 1, 2015

ZLJ



Liangjun Zhang
Expert Technical Service



e32*2002/24*0002*00, 14.07.2015.

Manufacturer: Zhejiang Huangyan Sanye Group Co.,Ltd.
Type: TOL1000D-01

List of modifications**Appendix 0**

Correction of : - ---

Modification of : - ---

Addition of : - ---

Deletion of : - ---



e32*2002/24*0002*00, 14.07.2015.

Manufacturer: Zhejiang Huangyan Sanye Group Co.,Ltd.
 Type: TOL1000D-01

Precisely Right.

Test minutes of frame directive**Appendix 1****0. GENERAL**

- 0.1. Make(s) (trade name of the manufacturer): : VIGOROUS, TOL, SNOW, KRAL, EAGEL, AMGDR, ECO ENGEL, LOFTY
- 0.2. Type: : TOL1000D-01
- Variant(s) : Variant 1: TOL1000D-01
Variant 2: TOL650D-01
- Version(s) : A, B
- 0.2.1. Commercial name(s): : TOL1000D-01, TOL650D-01, KR-11, VESTA2250, VIGOROUS800
- 0.3. Means of identification of type, if marked on the vehicle : Position 4th – 8th of VIN
- 0.3.1. Location of that marking : Stamp on the right side of chassis
- 0.4. Category : L2e
- 0.5. Name and address of the vehicle manufacturer: : Zhejiang Huangyan Sanye Group Co.,Ltd.
No.38, Xintang Road, Huangyan District, Taizhou City, 318020. Zhejiang Province, P.R. China
- 0.5.1. Name(s) and address(es) of assembly plant(s): : Taizhou TONGLI Motorcycle Co.,Ltd.
No.28, Batang Road, Sanjia Jiaojiang District, Taizhou City, 318000, Zhejiang Province, P.R.China.



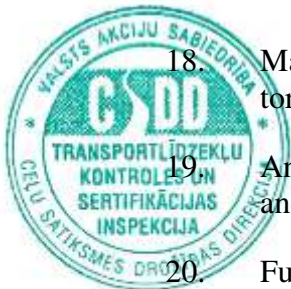
e32*2002/24*0002*00, 14.07.2015.

Manufacturer: Zhejiang Huangyan Sanye Group Co.,Ltd.
 Type: TOL1000D-01

Precisely Right.

1. VEHICLE COMPONENTS AND CHARACTERISTICS

4. Name and address of manufacturer's authorized representative : not applicable
5. Category of vehicle : L2e
- Vehicle equipped with pedals : not applicable
6. Number of wheels : 3
- Position in case of 3 wheel vehicle : Symmetrical / ~~asymmetrical~~
7. Outline drawing of frame : see Information Document TOL1000D-01-00,
8. Manufacturer of engine : see Information Document TOL1000D-01-00, 3.0
9. Make and description of engine : see Information Document TOL1000D-01-00, 3.1
- Type : Variant 1: YWDJ010-1000
Variant 2: YWDJ010-650
10. Type of-engine ignition : Not applicable
11. Engine operating cycle : Not applicable
12. Type of engine cooling : Not applicable
13. Type of engine lubrication : Not applicable
14. Number, arrangement and firing order of cylinders : Not applicable
15. Bore, stroke and cylinder capacity or volume of combustion chamber : Not applicable
16. Full diagram of induction system : Not applicable
17. Engine compression ratio : Not applicable
18. Maximum net power and maximum torque of engine : Not applicable
19. Anti-tampering measures for mopeds and motorcycles : Not applicable
20. Fuel tank : Not applicable



e32*2002/24*0002*00, 14.07.2015.

Manufacturer: Zhejiang Huangyan Sanye Group Co.,Ltd.
Type: TOL1000D-01

Precisely Right.

- 21 Traction battery/ies : see Information Document TOL1000D-01-00, 3.3.2
- Electric traction motor : see Information Document TOL1000D-01-00, 3.3
- 22 Carburettor or other engine fuel supply : Not applicable
- 23 Electrical system (nominal voltage) : Not applicable
- 24 Generator (type and maximum output) : Not applicable
25. Maximum design speed of the vehicle : according to 95/1/EC amend. 2006/27/EC,
Maximum design speed : 25 km/h
Conformity checks : requirements fulfilled
for test results see Appendix 6
Approval number : not applicable
- 26 Masses and dimensions : according to 93/93/EEC amend.2004/86/EC
for test results see Appendix 5
Conformity checks : requirements fulfilled
Approval number : not applicable
27. Coupling devices and their attachment : not applicable
28. Anti-pollution devices : not applicable
29. Tyres : according to 97/24/EC amend. 2009/108/EC Chap.
1, for test results see Appendix 8
Conformity checks : requirements fulfilled
Tyres of any tyre manufacturer may be fitted provided that they are of the same dimensions, E/e-mark approved according to ECE-R75 or 97/24/EC amend. 2009/108/EC, chapter 1 and of a load index of 28(front tyre) / 28 (rear tyre) or more and a speed index of B or more.
30. Transmission : automatic
31. Braking system : according to 93/14/EEC amend. 2006/27/EC
for test results see Appendix 2
Conformity checks : requirements fulfilled
Approval number : not applicable



e32*2002/24*0002*00, 14.07.2015.

Manufacturer: Zhejiang Huangyan Sanye Group Co.,Ltd.
 Type: TOL1000D-01

- | | | |
|-----|---|--|
| 32. | Installation of lighting and light-signalling devices | : According to 2009/67/EC amend. 2013/60/EU for test results see Appendix 18 |
| | Conformity checks | : requirements fulfilled |
| | Approval number | : not applicable |
| 33. | Lighting and light-signalling devices | : according to 97/24/EC amend. 2009/108/EC Chap. 2 |
| | Conformity checks | : requirements fulfilled |
| | Approval number | : see Information Document TOL1000D-01-00, 8.1 |
| 34. | Audible warning device | : according to 93/30/EEC |
| | Conformity checks | : requirements fulfilled for test results see Appendix 3 |
| | Approval number acc. to 93/30/EEC, annex II | : not applicable |
| | Approval number acc. to 93/30/EEC, annex I | : see Information Document TOL1000D-01-00, 9.5.5 |
| 35. | Position of mounting rear registration plate | : according to 2009/62/EC for test results see Appendix 17 |
| | Conformity checks | : requirements fulfilled |
| | Approval number | : not applicable |
| 36. | Electromagnetic compatibility | : according to 97/24/EC amend. 2009/108/EC Chap. 8, for test results see Appendix 15 |
| | Conformity checks | : requirements fulfilled |
| | Approval number | : not applicable |
| 37. | Sound level and exhaust system | : not applicable |
| 38. | Rear-view mirror(s) | : according to 97/24/EC amend. 2009/108/EC Chap. 4, for test results see Appendix 10 |
| | Conformity checks | : requirements fulfilled |
| | Approval number (Arrangement) | : not applicable |
| | Approval number (Component) | : see Information Document TOL1000D-01-00, B 1.1.2 |
| 39. | External projections | : according to 97/24/EC amend. 2009/108/EC Chap. |



e32*2002/24*0002*00, 14.07.2015.

Manufacturer: Zhejiang Huangyan Sanye Group Co.,Ltd.
 Type: TOL1000D-01

Precisely Right.

		3, for test results see Appendix 9
	Conformity checks	: requirements fulfilled
	Approval number	: not applicable
40.	Stand	: not applicable
41.	Devices to prevent unauthorized use	: according to 93/33/EEC amend. 1999/23/EC
	Conformity checks	: requirements fulfilled for test results see Appendix 4
	Approval number	: not applicable
42.	Windows, windscreen wipers, windscreen washers for vehicle with bodywork	: not applicable
43.	Hand-hold for two-wheel vehicles	: not applicable
44.	Anchorage points for safety belts and safety belts for vehicle with bodywork	: according to 97/24/EC amend. 2009/108/EC Chap. 3,
	Conformity checks	: not applicable
	Approval number	: not applicable
45.	Speedometer	: according to 2000/7/EC for test results see Appendix 16
	Conformity checks	: requirements fulfilled
	Approval number	: not applicable
46.	Identification of controls, tell-tales and indicators	: according to 2009/80/EC see Information Document TOL1000D-01-00, 9.2
	Conformity checks	: requirements fulfilled for test results see Appendix 21
	Approval number	: not applicable
47.	Statutory inscriptions	: according to 2009/139/EC see Information Document TOL1000D-01-00, 9.3
	Conformity checks	: requirements fulfilled for test results see Appendix 22
	Approval number	: not applicable
	Location of statutory plate	: Riveted on the chassis



e32*2002/24*0002*00, 14.07.2015.

Manufacturer: Zhejiang Huangyan Sanye Group Co.,Ltd.
 Type: TOL1000D-01

Precisely Right.

Test minutes braking system**Appendix 2**

0. Test condition
- Test place : Wuxi, P.R.China
- 1 Test facilities : The test equipment used was in compliance with the requirements of the directive.
- 2 Test object(s)
- 2.1 Type : TOL1000D-01
 Variant : TOL1000D-01
 Version : A
- 2.2 Technically permissible mass on axles
- axle 1 [kg] : 100
- axle 2 [kg] : 200
- 2.3 Load conditions of the vehicle during the test

	unladen	laden
axle 1 [kg]	60	65
axle 2 [kg]	115	125
total [kg]	175	190

- 2.4 Number and arrangement of the axles : 2 axles



e32*2002/24*0002*00, 14.07.2015.

Manufacturer: Zhejiang Huangyan Sanye Group Co.,Ltd.
 Type: TOL1000D-01

Precisely Right.

- 2.5 Brief description of the service braking : front / rear / ~~combined~~
 device
- Front brake : hand lever, hydraulic transfer, one disc brake
- Manufacturer of brake pad : Yuhuan Aluminum Alloy Casting Factory
- Manufacturer of master cylinder : Yuhuan Aluminum Alloy Casting Factory
- Manufacturer of wheel cylinder : Yuhuan Aluminum Alloy Casting Factory
- Rear brake : foot pedal, lining transfer, two drum brake
- Manufacturer of brake lining : Yuhuan Aluminum Alloy Casting Factory
- Manufacturer of master cylinder : not applicable
- Manufacturer of wheel cylinder : not applicable
- 2.6 Other devices (anti-lock, etc.) : not applicable
- 2.7 Remark : not applicable



e32*2002/24*0002*00, 14.07.2015.

Manufacturer: Zhejiang Huangyan Sanye Group Co.,Ltd.
 Type: TOL1000D-01

Precisely Right.

3 Test results

3.1 Type-0 test, with engine disconnected

Conditions	test speed [km/h]	measured performance [m/s ²]	Measured force applied to control [N]
unladen, dry brakes			
front brake	23	3.90	152
rear brake	23	3.31	174
laden, dry brakes			
front brake	23	4.39	139
rear brake	23	3.67	216
reference test for wet brake (laden)			
front brake, 0.5-1s	--	--	--
front brake, maximum	--	--	--
rear brake, 0.5-1s	--	--	--
rear brake, maximum	--	--	--
laden, wet brakes			
front brake, 0.5-1s	--	--	--
front brake, maximum	--	--	--
rear brake, 0.5-1s	--	--	--
rear brake, maximum	--	--	--

3.2 Type-0 test, engine connected : not applicable

3.3 Type-1 test, (fade test) : not applicable

3.4 parking brake test : The parking brake device is capable of holding the laden vehicle stationary on a 18% up or down gradient by a purely mechanical device



e32*2002/24*0002*00, 14.07.2015.

Manufacturer: Zhejiang Huangyan Sanye Group Co.,Ltd.
 Type: TOL1000D-01

Precisely Right.

Test minutes of audible warning device**Appendix 3**

0. Test condition
- . Test place : Wuxi, P.R.China
1. Test facilities : The test equipment used was in compliance with the requirements of the directive.
2. Test vehicle(s)
- 2.1. Type : TOL1000D-01
 Variant : TOL1000D-01
 Version : A
- 2.2. Identification number : Without, Prototype
- 2.3. Type : 1. DL127
 2. DL128
- 2.4. Approval number : 1.E4 000113
 2.E4-000125
3. Test results
- 3.1. Ambient noise in dB(A) : 55
- 3.2. Test voltage in V : 13
- 3.3. Max. sound pressure level in 7 m distance in dB(A) : 1: 97
 2: 96
- 3.4. Height of microphone above the ground in 0.5m~1.5m : 0.75m



e32*2002/24*0002*00, 14.07.2015.

Manufacturer: Zhejiang Huangyan Sanye Group Co.,Ltd.
 Type: TOL1000D-01

Test minutes of Protection device

Appendix 4

Character of device	<input type="checkbox"/>	Type 1
	<input checked="" type="checkbox"/>	Type 2
	<input type="checkbox"/>	Type 3
	<input type="checkbox"/>	Type 4
Manufacturer		
Approval number:	no	
Marking on the key:	No code on the key	
Marking lock:	No code on the lock	
General	<input checked="" type="checkbox"/>	it is necessary to disable it in order to point, drive or move the vehicle straight ahead;
	<input checked="" type="checkbox"/>	the key can only be removed when the catch is fully engaged or withdrawn.
	<input checked="" type="checkbox"/>	The requirements set out must be met by manipulating a key just once
Key combinations	<input checked="" type="checkbox"/>	The key locking system must incorporate at least 1000 different combinations
Lock torque	<input checked="" type="checkbox"/>	Torque of max. 2,45Nm on cylinder
Steering torque	<input checked="" type="checkbox"/>	Torque at 200 Nm along steering pindle
Only for type 3 or 4	<input type="checkbox"/>	According to the 3.2.2, 3.12,4.1.2,4.3, and 4.4
locked angle(>20°)	<input checked="" type="checkbox"/>	26°



e32*2002/24*0002*00, 14.07.2015.

Manufacturer: Zhejiang Huangyan Sanye Group Co.,Ltd.
 Type: TOL1000D-01

Precisely Right.

Test minutes of Masses and dimensions

Appendix 5

Masses(Kg) and dimensions(mm)	Declared	Info. folder	Testing record
Unladen mass of vehicle	Version A:100 Version B: 94	2.0	Version A: 100 Version B: 94
Mass of vehicle in running order	Version A: 100 Version B: 94	2.1	Version A: 100 Version B: 94
Distribution of that mass between the axles	Version A: 26/74 Version B: 22/72	2.1.1	Version A: 26/74 Version B: 22/72
Mass of vehicle in running order together with rider	Version A: 175 Version B: 169	2.2	Version A: 175 Version B: 169
Distribution of that mass between the axles	Version A: 60/115 Version B: 59/110	2.2.1	Version A: 60/115 Version B: 59/110
Maximum technically permissible mass declared by the manufacturer	190	2.3	190
Division of that mass between the axles	65/125	2.3.1	65/125
Vehicle length	1650	_____	1650
Vehicle width (excluding mirror)	690	_____	690
Vehicle height (excluding mirror)	1060	_____	1060
Wheel base	1075	_____	1075

Mass tolerance: $\pm 5\%$ 

e32*2002/24*0002*00, 14.07.2015.

Manufacturer: Zhejiang Huangyan Sanye Group Co.,Ltd.
 Type: TOL1000D-01

Precisely Right.

Test minutes of maximum speed**Appendix 6**

0. Test condition
- 0.1. Test place : Wuxi, P.R.China
1. Test facilities : The test equipment used was in compliance with the requirements of the directive.
2. Test vehicle(s)
- 2.1. Type : TOL1000D-01
 Variant : Variant 1: TOL1000D-01
 Variant 2: TOL650D-01
 Version : A, B
3. Atmospheric conditions
- 3.1. Atmospheric pressure [kPa] : 101.6
- 3.2. Temperature [K] : 298
- 3.3. Relative humidity [%] : 55
- 3.4. Maximum wind speed [m/sec] : 0.4
- 3.5. Type of test track acc. to Annex I, : I
 4.2.1
4. Test results
- Maximum speed [km/h] : 25 km/h

Variant 1/A:

Measurement 1	24.1	24.8
Measurement 2	23.5	24.5
Average value (km/h)	24.2	



e32*2002/24*0002*00, 14.07.2015.

Manufacturer: Zhejiang Huangyan Sanye Group Co.,Ltd.
 Type: TOL1000D-01

Precisely Right.

Variant 1/B:

Measurement 1	24.2	24.7
Measurement 2	23.7	24.8
Average value (km/h)	24.4	

Variant 2/A:

Measurement 1	23.9	24.5
Measurement 2	23.6	24.2
Average value (km/h)	24.1	

Variant 2/B:

Measurement 1	24.1	24.8
Measurement 2	24.0	24.6
Average value (km/h)	24.4	



e32*2002/24*0002*00, 14.07.2015.

Manufacturer: Zhejiang Huangyan Sanye Group Co.,Ltd.
 Type: TOL1000D-01

Test minutes tyre installation

Appendix 8

- 1 Test object(s)
- 1.1 type : TOL1000D-01
- variant / version : TOL1000D-01/ A
- maximum mass of vehicle [kg] : 190
- distribution between the axles
- axle 1 [kg] : 65
- axle 2 [kg] : 125
- 1.2 Technically permissible axle weight
- : vehicle data
- axle 1 [kg] : 100
- axle 2 [kg] : 200
- 1.3 Number and arrangement of the axles : 2 axles
- 1.4 Tyre dimensions
- axle 1 : 3.00-10
- axle 2 : 3.00-10
- 1.5 Minimum speed index and load index
- | | actual | required |
|------------------|--------|----------|
| - axle 1 LI / SI | : 42J | 28 / B |
| - axle 2 LI / SI | : 42J | 28 / B |
- 1.6 Clearance : The space in which the wheels revolve allows unrestricted movement when the maximum permissible size of tyres is used, within the suspension, steering and wheel guard constraints provided by the manufacturer.
- Test Result : The maximum load ratings and speed category symbols of the used tyres cover the maximum permissible axle mass declared by the vehicle manufacturer and the maximum design speed of the vehicle(including possible tolerance)



e32*2002/24*0002*00, 14.07.2015.

Manufacturer: Zhejiang Huangyan Sanye Group Co.,Ltd.
 Type: TOL1000D-01

Precisely Right.

Test minutes of External projection**Appendix 9**

- | | | |
|--|--|---|
| 0 | Test facilities | : The test equipment used was in compliance with the requirements of the directive. |
| 1 | Edge of windscreen ($\geq 2\text{mm}$) | : Not applicable |
| 2 | Clutch/brake lever ($\geq 7\text{mm}$) | : Pass / Fail |
| 3 | Front mudguard ($\geq 2\text{mm}$) | : Pass / Fail |
| 4 | Ignition key cover | : Pass / Fail |
| 5 | Fuel tank Cap (15mm or cover) | : Not applicable |
| 6 | Wheel fittings | : Pass / Fail |
| 7 | Rubber 60 shore A | : Pass / Fail |
| 8 | 'grazing' $\leq 45^\circ$ (group 1) | : Pass / Fail |
| 9 | 'collision' $\geq 45^\circ$ (group 2) | : Pass / Fail |
| For bodied tricycles-quadricycles only | | |
| 10 | Ornamental motifs, 5mm | : Pass / Fail |
| 11 | Headlamps peaks (30mm) | : Pass / Fail |
| 12 | Side deflectors | : Pass / Fail |



e32*2002/24*0002*00, 14.07.2015.

Manufacturer: Zhejiang Huangyan Sanye Group Co.,Ltd.
 Type: TOL1000D-01

Precisely Right.

Test minutes of rear-view mirror(s) installation measuring**Appendix 10****Test condition****1. Test Vehicle(s)**

Type	:	TOL1000D-01
Variant	:	TOL1000D-01
Version	:	A
1.1 Identification number	:	Without, Prototype
1.2 Category of vehicle	:	L2e
1.3 Component type-approval mark	:	E4-81R-000145
1.4 Number fitted	:	2

2. Test Minute(s)

- 2.1. The rear-view mirrors installed on the vehicle shall be of Class L type approved under this Regulation. : ~~Yes/No/Not applicable~~
- 2.2. Rear-view mirrors must be mounted or adjusted in such a way that the distance of the centre of the reflective surface, as measured in a horizontal plane, is at least 280 mm outward from the longitudinal vertical plane passing through the centre of the steering head of the vehicle. Before the measurement, the handlebar shall be placed in the straight ahead position and the mirror(s) shall be adjusted to its (their) normal position. : ~~Yes/No/Not applicable~~
- 2.3. Rear-view mirror(s) shall be such that the driver can adjust it (them) in the normal driving position. : ~~Yes/No/Not applicable~~



e32*2002/24*0002*00, 14.07.2015.

Manufacturer: Zhejiang Huangyan Sanye Group Co.,Ltd.
 Type: TOL1000D-01

Precisely Right.

Test minutes of EMC measuring (annex 1 to 3)**Appendix 15****0. Test condition**

0.1. Test site : Wuxi, P.R.China

1. Test facilities

: The test equipment used was in compliance with the requirements of the directive.
 The test was conducted on a horizontal, untrammelled surface.

2. Test vehicle(s)

2.1. Type : TOL1000D-01
 variant : Variant 1: TOL1000D-01
 Variant 2: TOL650D-01

version : A

2.2. Identification number : Without, Prototype

3. wide-band electromagnetic radiation

3.1. Distance between reference antenna and vehicle : 3 m

3.2. State of the vehicle during the test : $\frac{3}{4}$ of maximum operating power declared by the manufacturer

3.3. Method and bandwidth : QP, 120KHz

3.4. Test result : Fulfill the requirements, see below

Remark:

The Version A is the worst case in EMC test due to higher voltage in the working and the controller is same for all versions.



e32*2002/24*0002*00, 14.07.2015.

Manufacturer: Zhejiang Huangyan Sanye Group Co.,Ltd.
 Type: TOL1000D-01

Precisely Right.

Variant 1: TOL1000D-01

Test result of wide-band electromagnetic radiation from the test vehicle(Annex II):
 (Quasi-peak detector)

Frequency [Mhz]	Test results left-hand side [dB μ V/m]		Test results right-hand side [dB μ V/m]		Reference peak value [dB μ V/m]	Reference limit value minus 2 dB [dB μ V/m]	Margin to reference value [dB μ V/m]
	hor.	vert.	hor.	vert.			
45	26.30	36.42	26.76	37.52	37.52	42	4.48
65	18.39	26.73	18.34	24.30	26.73	42	15.27
90	21.58	24.12	21.59	22.03	24.12	43.2	19.08
150	22.12	22.23	22.21	22.21	22.23	46.6	24.37
180	22.22	22.17	22.10	22.23	22.23	47.8	25.57
220	22.48	22.68	22.45	22.78	22.78	49.1	26.32
300	26.95	27.32	27.42	27.1	27.42	51.1	23.68
450	31.51	31.47	31.47	31.51	31.51	53	21.49
600	35.03	34.92	35.00	34.94	35.03	53	17.97
750	38.35	38.22	38.26	38.30	38.35	53	14.65
900	40.21	40.19	40.18	40.11	40.21	53	12.79

Variant 2: TOL650D-01

Frequency [Mhz]	Test results left-hand side [dB μ V/m]		Test results right-hand side [dB μ V/m]		Reference peak value [dB μ V/m]	Reference limit value minus 2 dB [dB μ V/m]	Margin to reference value [dB μ V/m]
	hor.	vert.	hor.	vert.			
45	32.60	41.32	34.55	40.60	41.32	42.0	0.68
65	23.23	32.12	21.25	30.40	32.12	42.0	9.88
90	21.27	21.53	21.37	20.38	21.53	43.2	21.67
150	21.42	20.89	20.75	20.79	21.42	46.6	25.18
180	21.60	20.66	20.50	20.62	21.60	47.8	26.20
220	20.92	20.79	20.63	20.75	20.92	49.1	28.18
300	24.84	24.77	24.78	24.81	24.84	51.1	26.26
450	28.90	28.98	28.85	28.90	28.98	53.0	24.02
600	31.97	31.99	31.92	31.98	31.99	53.0	21.01
750	34.82	34.82	34.76	34.81	34.82	53.0	18.18
900	36.30	36.25	36.28	36.24	36.30	53.0	16.70



e32*2002/24*0002*00, 14.07.2015.

Manufacturer: Zhejiang Huangyan Sanye Group Co.,Ltd.
 Type: TOL1000D-01

4. Narrow-band electromagnetic radiation

4.1. Distance between reference antenna and vehicle : 3 m

4.2 State of the vehicle during the test : The vehicle's electronic systems must be in their normal operating mode and the vehicle must be stationary.
 The ignition must be connected. The engine must not be running.

4.3 According to 97/24/chapter 8,Annex III,item 6.1,6.2 : The narrow-band radiation for any of the bands defined are at least 10 dB below the reference limit ,then the vehicle is deemed to fulfil the conditions

Test result : requirements fulfilled

5. Immunity to electromagnetic radiation

5.1. field strength : 30 volts/m r.m.s. in over 90 % of the 20 MHz ~ 1000 MHz
 25 volts/m r.m.s. over the whole 20 MHz ~1000 MHz

5.2. State of the vehicle during the test : unladen condition

Left ID on work

on insulated axle support

Steady speed of 20km/h

Other system normal operation

5.3 Test result : not any deterioration in the direct control of the vehicle observed



e32*2002/24*0002*00, 14.07.2015.

Manufacturer: Zhejiang Huangyan Sanye Group Co.,Ltd.
 Type: TOL1000D-01

Precisely Right.

Test minutes of Speedometer**Appendix 16****0. Test condition**

Test place : Wuxi, P.R.China

1. Test facilities

: The test equipment used was in compliance with the requirements of the regulation.

2. Test Vehicle(s)

2.1 Type : TOL1000D-01

Variant : TOL1000D-01

Version : A

2.2 Identification number of vehicle : Without, Prototype

2.3 Make of Speedometer : YINCHAO

2.4 Type of Speedometer : YC-M01

3 Test Condition

Temperature ((23±5°C) : 26

Vehicle designed Vmax [km/h] : 25

Mass in running order [kg] : 100

Distribution [kg] axle 1 : 26

axle 2 : 74

Tyre dimensions axle 1 : 3.00-10

axle 2 : 3.00-10

Tyre pressure [kPa] axle 1 : 220+20

axle 2 : 220+20

4 Test Result

V ₁ (Speedometer) km/h	V ₂ (Test speed) km/h	V ₁ -V ₂	Deviation	
			Min	Max (0.1V ₂ +4)
20	18.1	1.9	0	5.8



e32*2002/24*0002*00, 14.07.2015.

Manufacturer: Zhejiang Huangyan Sanye Group Co.,Ltd.
Type: TOL1000D-01

Test minutes of Rear registration plate**Appendix 17**

1. Width x height (mm) : ~~280 x 210~~
145 x 125
100 x 175
2. Inclination: : Pass / ~~Fail~~
<=Up 30°
<=Down 15°
3. Max. height no more than 1.5m : Pass / ~~Fail~~
4. Min. height : Pass / ~~Fail~~
(200mm or 1/2 wheel diameter)
5. Geometric visibility : Pass / ~~Fail~~
(Up30° Down 5° Left and Right 30°)



e32*2002/24*0002*00, 14.07.2015.

Manufacturer: Zhejiang Huangyan Sanye Group Co.,Ltd.
 Type: TOL1000D-01

Precisely Right.

Test minutes lighting installation

Appendix 18

3.1. Driving beam headlamp :

Quantity:	1 pcs	For 2 lamp: (symmetrical ?)	symmetrical/
Distance btw 2 main beams	≤ 200mm/ n.a.	Distance btw main and low beams	≤ 200mm/ n.a.
Tell tale optional :	blue	Geometric visibility	5° around
Electrical connection:	working simultaneously		

3.2. Passing beam headlamp :

Quantity:	1 pcs	Height (500~1200 mm) :	Yes
Distance between 2 lamps:	≤ 200mm/n.a.	Inclination	-0.5~-2.5 %
Geometric visibility	15°up, 10° down 45°left and right 45°outwards, 10°inwards	Tell tale optional:	Yes
Electrical connection:	Switch off main beam		

3.3. Front position lamp :

Quantity:	1 pcs	Width:	Center
Height (350-1200mm):	Yes	Electrical connection:	No requirement
Geometric visibility:	80°L/R for one 80°outwards, 45°inwards 15°up and down	Tell tale:	the instrument panel lighting can only be switched on or off together with the position lamp



e32*2002/24*0002*00, 14.07.2015.

Manufacturer: Zhejiang Huangyan Sanye Group Co.,Ltd.
 Type: TOL1000D-01

Precisely Right.

3.4. Front direction indicator :

Quantity:	1 per side	Distance to low beam for min. intensity:	90cd / ≥ 75 mm
outside headlamp(s):	Yes	Width between:	≥ 500 mm
Height (350-1200mm):	Yes	Geometric visibility:	15° up and down 20° inwards 80° outwards
Tell tale:	green flashing		
Electrical connection:	Independent control; one control for same side		

3.5. Rear direction indicator :

Quantity:	1 per side		
Dist. to rear end:	≤ 300 mm	Width between:	≥ 500 mm
Height (350-1200mm):	Yes	Geometric visibility:	15° up and down 20° inwards / 80° outwards
Tell tale:	green flashing		
Electrical connection:	Independent control; one control for same side		

3.6. Rear position lamp :

Quantity:	2 pcs	Width:	≥ 400 mm
Height (250-1500mm):	Yes	Length:	Rear of the vehicle
Geometric visibility:	15° up and down 80° outside, 45° inside	Electrical connection:	No special requirement
Telltale:	the instrument panel lighting can only be switched on or off together with the position lamp		



e32*2002/24*0002*00, 14.07.2015.

Manufacturer: Zhejiang Huangyan Sanye Group Co.,Ltd.
 Type: TOL1000D-01

Precisely Right.

3.7. Stop lamp

Quantity:	2 pcs	Width:	≥400mm
Height (250-1500mm):	Yes	Length:	rear of vehicle
Geometric visibility:	15° up and down 80° outside, 45° inside	Electrical connection:	Light up when the service brake applied
Tell tale:	prohibited		

3.8. Rear registration plate lamp

Quantity:	1 pcs	Electrical connection:	Same as position lamp
-----------	-------	------------------------	-----------------------

3.9. Side reflector

: Not applicable

Quantity:	1 per side	Arrangement:	No special requirement
Height (300-900mm):	Yes	Geometric visibility :	30° front and rear 15° up and down
Not to be masked?	Fulfilled		

3.10. Rear reflector

Quantity:	2	Width:	≥400mm
Height (250-900mm):	Yes	Length:	Rear of the vehicle
Geometric visibility:	15° up and down 30° left and right		

Direction indicator flashing frequency (min ⁻¹)	76
In the event of failure of a direction indicator, the other must continue to flash or remain lit.	Yes / No
Automatic headlamp on system	Yes / No
Visibility of red lights towards the front	Yes / No
Visibility of white lights towards the rear	Yes / No
Vertical inclination of the dipped beam headlamp	Pass / Fail



e32*2002/24*0002*00, 14.07.2015.

Manufacturer: Zhejiang Huangyan Sanye Group Co.,Ltd.
 Type: TOL1000D-01

Precisely Right.

Test minutes of identification of controls, tell-tales and indicators

Appendix 21

general requirements	<input checked="" type="checkbox"/>	The controls, tell-tales and indicators referred to in point 2.1.5 shall be identified in accordance with the following requirements when they are fitted to a vehicle.
	<input checked="" type="checkbox"/>	The symbols shall stand out clearly against the background.
	<input checked="" type="checkbox"/>	The symbols shall be placed on the control or control tell-tale to be identified or in immediate proximity thereof. Where this is not possible the symbol and control, or tell-tale, shall be joined by a continuous dash that is as short as possible.
	<input checked="" type="checkbox"/>	Main-beam headlights shall be represented by parallel horizontal rays of light and dipped-beam headlamps by parallel rays of light angled downwards.
	<input checked="" type="checkbox"/>	When used for optical tell-tales, the colours shall have the meanings indicated.
Test	Test result:	
	Identification of controls	Pass / Fail
	Identification of tell-tales	Pass / Fail
	Identification of indicators	Pass / Fail



e32*2002/24*0002*00, 14.07.2015.

Manufacturer: Zhejiang Huangyan Sanye Group Co.,Ltd.
 Type: TOL1000D-01

Precisely Right.

Test minutes of Statutory inscriptions**Appendix 22**

- | | | |
|-----|---|---|
| 1. | Statutory plate | : The the statutory plate contain the information required by the directive and is firmly affixed at an easily accessible point |
| 1.1 | VIN | : VIN is stamped on the right side of chassis and statutory plate. It can easily be accessible. VIN's composition is according to the directives. |
| 1.2 | Characters: | : The characters used are Latin Letters and Arabic numerals. No I,O,Q, dashes, asterisks or other specific signs in the VIN |
| 1.3 | Height of letters and figures on the chassis (minimum 4 mm) | : 7 mm |
| 1.4 | Height of letters and figures on the plate (minimum 3 mm) | : 3 mm |
| 1.5 | Position of VIN | : R, x320, y5, z520 |
| 1.6 | Position of Statutory plate | : R, x 720, y180, z210 |
| | Vehicle submitted for test on | : May 20, 2015 to June 25, 2015 |
| | Date of report | : July 1, 2015 |



e32*2002/24*0002*00, 14.07.2015.